

JVC

DX-MX70BK

SERVICE MANUAL

DX-MX70BK
MODEL No. CA-MX70BK
(UNIT No. AX-MX70BK)



For Service Manuals Contact
 MAURITRON TECHNICAL SERVICES
 8 Cherry Tree Rd, Chinnor
 Oxon OX9 4QY
 Tel:- 01844-351694 Fax:- 01844-352554
 Email:- enquiries@mauritron.co.uk

Contents

	Page		Page
Safety Precautions	1-2	Schematic Diagrams	Insertion
Air-cooling Fan	1-3	Printed Circuit Board	Insertion
Disassembly Procedures	1-4	Block Diagrams	Insertion
Description of Major LSIs	1-5	Connection Diagram	Insertion
Internal Connections for the Display Tube	1-11	Parts List	Insertion

Safety Precautions

1. The design of this product contains special hardware and many circuits and components specially for safety purposes. For continued protection, no changes should be made to the original design unless authorised in writing by the manufacturer. Replacement parts must be identical to those used in the original circuits.
2. Any unauthorised design alterations or additions will void the manufacturer's guarantee; furthermore the manufacturer cannot accept responsibility for personal injury or property damage resulting therefrom.
3. Essential safety critical components are identified by (Δ) on the Parts List and by shading on the schematics, and must never be replaced by parts other than those listed in the manual. Please note however that many electrical and mechanical parts in the product have special safety related characteristics. These characteristics are often not evident from visual inspection. Parts other than specified by the manufacturer may not have the same safety characteristics as the recommended replacement parts shown in the Parts List of the service manual and may create shock, fire, or other hazards.
4. The leads in the products are routed and dressed with ties, clamps, tubings, barriers and the like to be separated from live parts, high temperature parts, moving parts and/or sharp edges for the prevention of electric shock and fire hazard. When service is required, the original lead routing and dress should be observed, and it should be confirmed that they have been returned to normal, after re-assembling.

Warning

1. Service should be performed by qualified personnel only.
2. This equipment has been designed and manufactured to meet international safety standards.
3. It is the legal responsibility of the repairer to ensure that these safety standards are maintained.
4. Repairs must be made in accordance with the relevant safety standards.
5. It is essential that safety critical components are replaced by approved parts.
6. If mains voltage selector is provided, check setting for local voltage.

For Service Manuals Contact
MAURITRON TECHNICAL SERVICES
8 Cherry Tree Rd, Chinnor
Oxon OX9 4QY
Tel: 01844-351694 Fax: 01844-352554
Email: enquiries@mauritron.co.uk

Air-cooling Fan

(1) Outline:

By using an air blower with a motor in the AX-MX70BK, the heat sink has been made smaller and high power has been achieved in a compact format. The air blower rotates with a 2-step speed according to the music signal level. The rise of the temperature in the heat sink is detected by a thermistor, and if the temperature becomes abnormal, the speaker relay is turned OFF.

(2) Operation principle:

The music signal level detected by the A/D converter (IC093) is input to the microcomputer, and the fan motor is driven with a 2-step speed according to that signal level. The temperature of the heat sink is detected by the resistance value of the thermistor (SR041), and is input to the A/D converter (IC093).

(3) Fan operation (standard value)

- ① When the speaker output continues for more than 1 minute (continuously more than 4 V or at a music peak above 10 V), the rotation speed is lowered.
- ② When the condition of ① continues for more than 15 minutes, the rotation speed is raised.
- ③ When the signal detection is turned OFF while the fan is rotating, the fan will be stopped after 1 minute.
- ④ When condition ② continues, the rotation is stopped for 2 minutes after 30 minutes and, thereafter, high speed rotation will continue.

(4) Abnormal rise in temperature (standard value)

When the temperature of the heat sink is higher than 125°C for more than a minute, the speaker relay is turned OFF.

Check of Fan Motor Rotation

- ① Short-circuit of W049 and GND → Low speed rotation
- ② Short-circuit of W050 and GND → High speed rotation

Disassembly Procedures

(1) Removing the top cover

1. Remove the screw on each side and the 4 screws on the rear.
2. Pull the top cover slightly backward and lift it while spreading the backs of the left and right sides to remove it.

(2) Removing the Front panel

1. Remove the top cover.
2. Remove the 5 screws under the front panel

(3) Confirming the Main P.C. board

1. Remove the top cover.
2. Remove the 6 screws ① ② ③ fastening the main P.C.board and heat sink bracket.(Fig.1)
3. Remove the screw ⑤ fastening the rear side.(Fig.2)
4. Confirm the main P.C. board as shown in the Fig.3

(4) Removing the Heat Sink.

1. Remove the top cover.
2. Remove the 2 screws ② fastening the heat sink.
3. Remove the 4 screws ③ ④ fastening the heat sink bracket.
4. Pull out the heat sink Ass'y from main P.C. board.

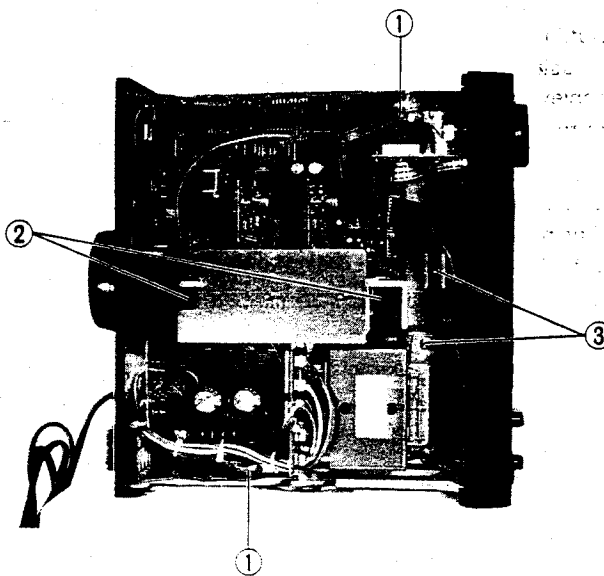


Fig. 1

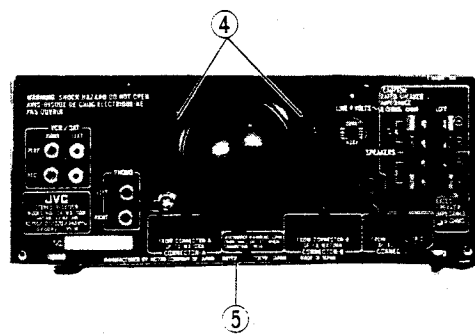


Fig. 2

For Service Manuals Contact
MAURITRON TECHNICAL SERVICES
 8 Cherry Tree Rd, Chinnor
 Oxon OX9 4QY
 Tel:- 01844-351694 Fax:- 01844-352554
 Email:- enquiries@mauritron.co.uk

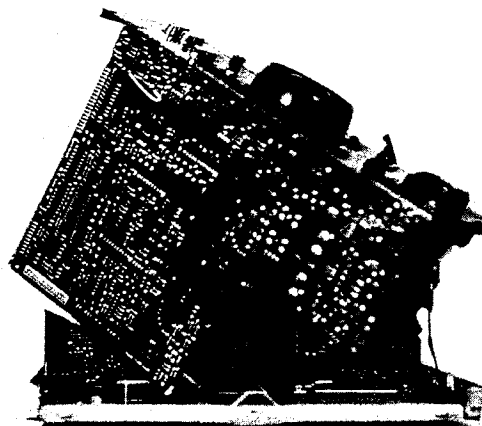


Fig. 3

Description of Major LSIs

■ MN171202JNY (IC901)----- System Control Microcomputer

1. Terminal Layout

Vcc	1	64	OSC2
S1	2	63	OSC1
S2	3	62	Vss
S3	4	61	
S4	5	60	X1
S5	6	59	D
S6	7	58	C
S7	8	57	B
S8	9	56	A
S9	10	55	G2 DIGIT1
S10	11	54	CS DCM/EXP
S11	12	53	STANDBY
S12	13	52	
S13	14	51	FL OFF
S14	15	50	MUTING
AI IND	16	49	POWER ON/OFF
VOL. IND	17	48	DCS OUT
Vpp	18	47	DCS IN
VOL. UP	19	46	INH
VOL. DOWN	20	45	REMOCON IN
	21	44	PROTECT IN
SURROUND	22	43	RESET
ENG. ON/OFF	23	42	A/D SO
ENG. SPEED	24	41	A/D SI
SPK. OUT	25	40	A/D SCK
AC RELAY	26	39	G
KI 0	27	38	SW SO
KI 1	28	37	SW STB
KI 2	29	36	SW SCK
KI 3	30	35	A/D STB
CLOCK	31	34	A/D CS
DATA	32	33	RCK(STB)

2. Pin Functions

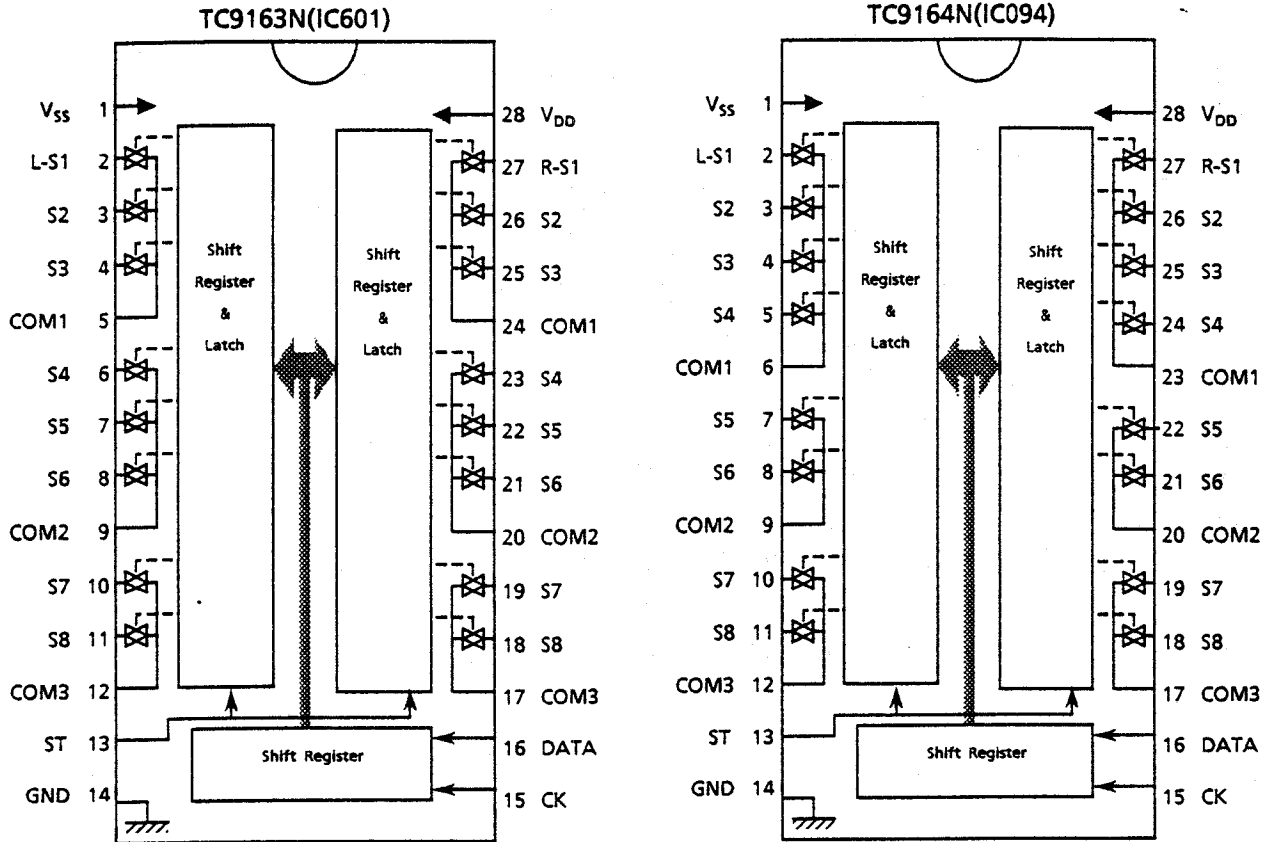
Pin No.	Name	I/O	Function	Pin No.	Name	I/O	Function
1	Vcc	—	Power supply voltage(+ 5V).	39	G	O	Output control signal to IC905.
2~15	S1~S14	O	FL segment control output.	40	A/D SCK	O	Clock signal output to IC093, IC094 and IC905.
16	AI IND	O	AI indicator signal output.	41	A/D SI	I	Serial data input from IC093.
17	VOL. IND	O	Volume indicator signal output.	42	A/D SO	O	Clock signal output to IC093 and IC094.
18	Vpp	—	Power supply for FL display.	43	RESET	I	Reset signal input.
19	VOL. UP	O	Volume up signal output.	44	PROTECT IN	I	Protector detect signal input.
20	VOL. DOWN	O	Volume down signal output.	45	REMOCON IN	I	Remocon signal input.
21			Non connect.	46	INH	I	INH signal input.
22	SURROUND	O	Surround control signal output.	47	DCS IN	I	DCS signal input.
23	ENG. ON/OFF	O	FAN on/off control signal output.	48	DCS OUT	O	DCS signal output.
24	ENG. SPEED	O	FAN speed control signal output.	49	POW. ON/OFF	O	Outputs power on/off signal to mech. control.
25	SPK. OUT	O	Speaker relay control signal output.	50	MUTING	O	Muting signal output.
26	AC RELAY	O	AC relay control signal output.	51	FL OFF	O	FL display control signal output.
27~30	KI0~KI3	I	Key matrix input.	52			Non connect.
31	CLOCK	O	Clock signal output to IC641.	53	STANDBY	O	STANDBY indicator signal output.
32	DATA	O	Data signal output to IC641.	54	CS DCM/EXP	I	Pull down.
33	RCK(STB)	O	Stb signal output to IC905.	55	G2 DIGIT1	O	FL grid control signal.
34	A/D CS	O	Chip select signal output to IC093.	56~59	A~D	O	FL grid control signal.
35	A/D STB	O	Stb signal output to IC094.	60	X1	I	Pull down.
36	SW SCK	O	Clock signal output to IC601.	61			Non connect.
37	SW STB	O	Stb signal output to IC601.	62	Vss	—	GND.
38	SW SO	O	Data signal output to IC601.	63 - 64	OSC1 - OSC2	—	clock oscillation.

■ TC9163N, TC9164N (IC601, 094) : Analog Switch

1. Functions

These analog switches are controlled by 14 bit serial data from computer for selecting the source.

2. Terminal Layout & Block diagram



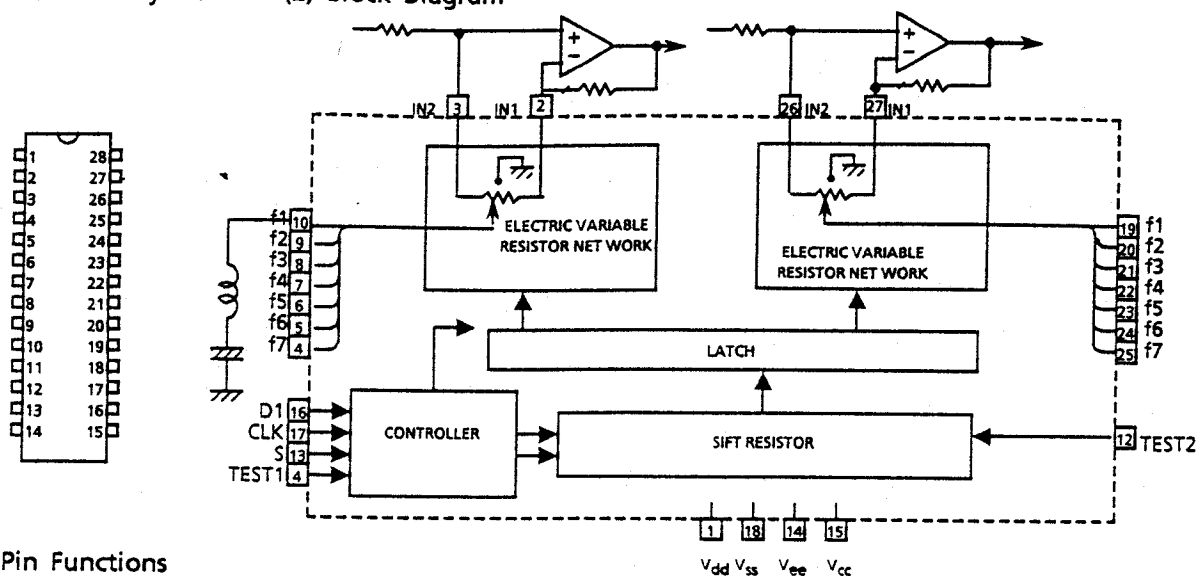
3. First 10bits are used to source select. Last 4 bits are chip select. The switches (S1~S8) are connected to common terminals (COM1~COM3) according to the DATA from computer.

	Switch Select bit								CH1	CH2	Chip Select bit			
	S1	S2	S3	S4	S5	S6	S7	S8	(L-S1~S8)(R-S1~S8)	S9	S10	S11	S12	S13
TC9163N	The switch is ON when the data is "1".										1	0	0	0
TC9164N											0	1	0	0

For Service Manuals Contact
 MAURITRON TECHNICAL SERVICES
 8 Cherry Tree Rd, Chinnor
 Oxon OX9 4QY
 Tel:- 01844-351694 Fax:- 01844-352554
 Email:- enquiries@mauritron.co.uk

■ IC641 : LC7522 (Variable Resistor for SEA Control)

- (1) Terminal Layout (2) Block Diagram



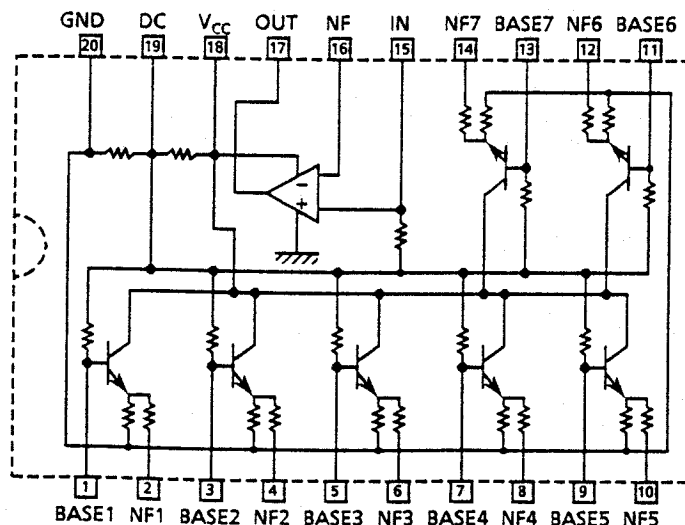
(3) Pin Functions

Pin No.	Pin Name	Functions
1	V _{DD}	Power supply +7V for audio signal
18	V _{SS}	Ground.
14	V _{EE}	Power supply -7V for audio signal.
15	V _{CC}	Power supply +5V
2, 27	IN 1	Audio signal input
3, 26	IN 2	The inversion signal of the operational amplifier inputs to IN 1 normally. The non-inversion signal of the operational amplifier inputs to IN 2 normally.
16	DI	Data input from the CPU. Schmitt inverter type
17	CLK	Clock signal input from the CPU. Schmitt inverter type
4~10 19~25	f1~f7	For connect to band-pass filter. f1~f7x2 (Left and Right)
11	TEST 1	Not use
12	TEST 2	Not use
13	S	Chip Select
28	NC	Not use

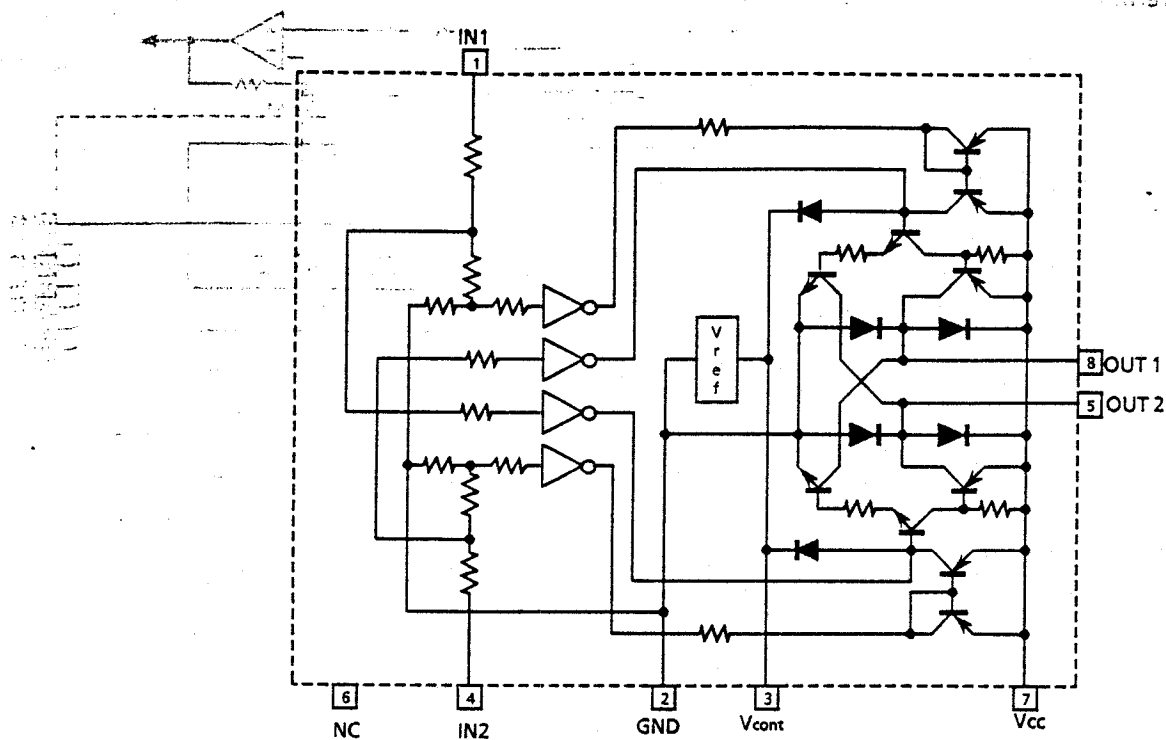
■ LA3607S (IC643, IC644) : S.E.A. GRAPHIC EQUALIZER

1. Functions

It makes inductive characteristic instead of coil.

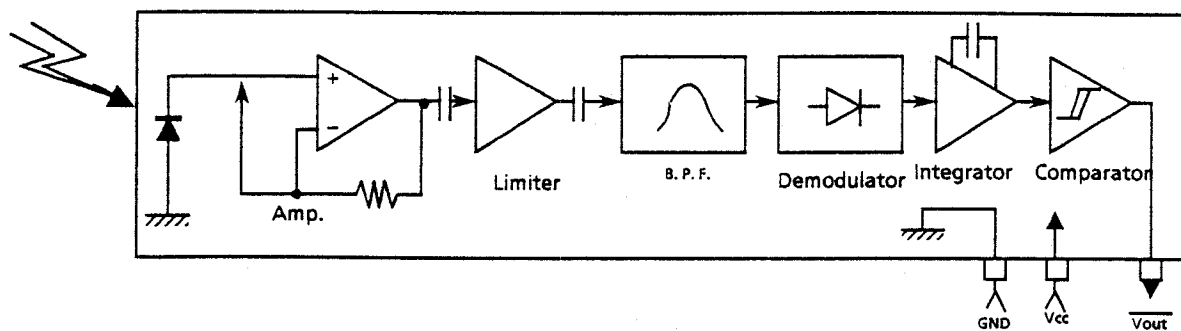


■ LB1639-CV (IC972) : Motor Driver



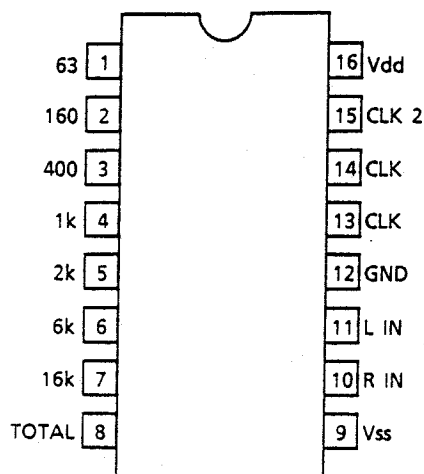
IN 1	IN 2	OUT 1	OUT 2	MOTOR
H	L	H	L	CLOCKWISE
L	H	L	H	COUNTER-CLOCKWISE
H	H	OFF	OFF	WAITING
L	L	OFF	OFF	WAITING

■ GP1U501X (IC906) : Receiver for remote controller



For Service Manuals Contact
 MAURITRON TECHNICAL SERVICES
 8 Cherry Tree Rd, Chinnor
 Oxon OX9 4QY
 Tel:- 01844-351694 Fax:- 01844-352554
 Email:- enquiries@mauritron.co.uk

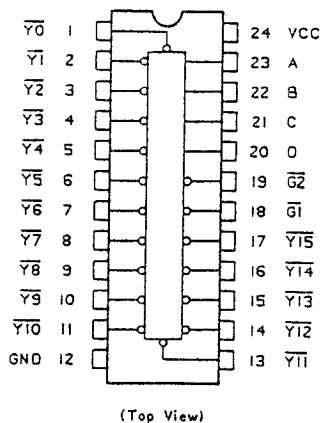
■ XR1091DCP (IC095) : Display Filter



Pin No.	Symbol	Descriptions
1	63	Peak hold output of 63Hz band-pass filter
2	160	Peak hold output of 160Hz band-pass filter
3	400	Peak hold output of 400Hz band-pass filter
4	1k	Peak hold output of 1kHz band-pass filter
5	2k	Peak hold output of 2kHz band-pass filter
6	6k	Peak hold output of 6kHz band-pass filter
7	16k	Peak hold output of 16Hz band-pass filter
8	TOTAL	Total frequency output (peak hold)

Pin No.	Symbol	Descriptions
9	Vss	Power supply (-6V)
10	R IN	Right channel input
11	L IN	Left channel input : Connecting to ground
12	GND	Ground terminal
13	CLK	Connecting capacitor for clock
14	CLK	Connecting resistor to pin 13 for clock
15	CLK / 2	1/2 clock output
16	Vdd	Power supply (+6V)

■ TC74HC154AP (IC904) : Decoder

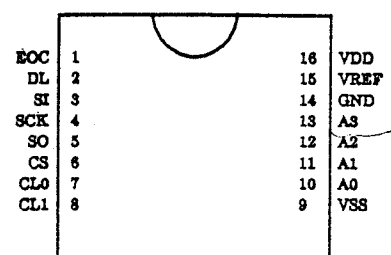


INPUTS						SELECTED OUT PUT(I)
G1	G2	D	C	B	A	
L	L	L	L	L	L	Y0
L	L	L	L	L	H	Y1
L	L	L	L	H	L	Y2
L	L	L	L	H	H	Y3
L	L	L	H	L	L	Y4
L	L	L	H	L	H	Y5
L	L	L	H	H	L	Y6
L	L	L	H	H	H	Y7
L	L	H	L	L	L	Y8
L	L	H	L	L	H	Y9
L	L	H	L	H	L	Y10
L	L	H	L	H	H	Y11
L	L	H	H	L	L	Y12
L	L	H	H	L	H	Y13
L	L	H	H	H	L	Y14
L	L	H	H	H	H	Y15
X	H	X	X	X	X	NONE
H	X	X	X	X	X	NONE

X : Don't care

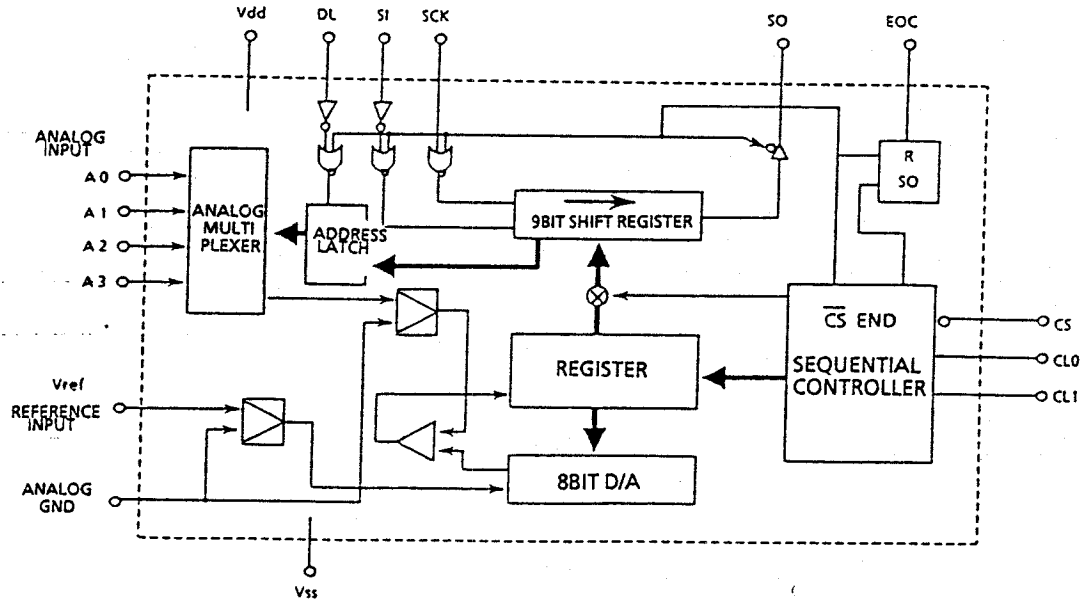
■ μ PD7001C(IC093)..... A/D Converter

1. Terminal Layout

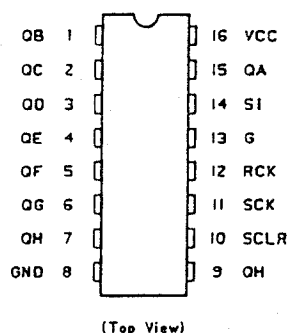


For Service Manuals Contact
 MAURITRON TECHNICAL SERVICES
 8 Cherry Tree Rd, Chinnor
 Oxon OX9 4QY
 Tel:- 01844-351694 Fax: 01844-352554
 Email:- enquiries@mauritron.co.uk

2. Block Diagram



■ TC74HC595AP(IC905)..... 8Bit Shift Register



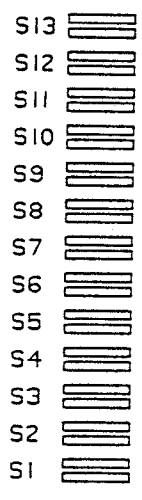
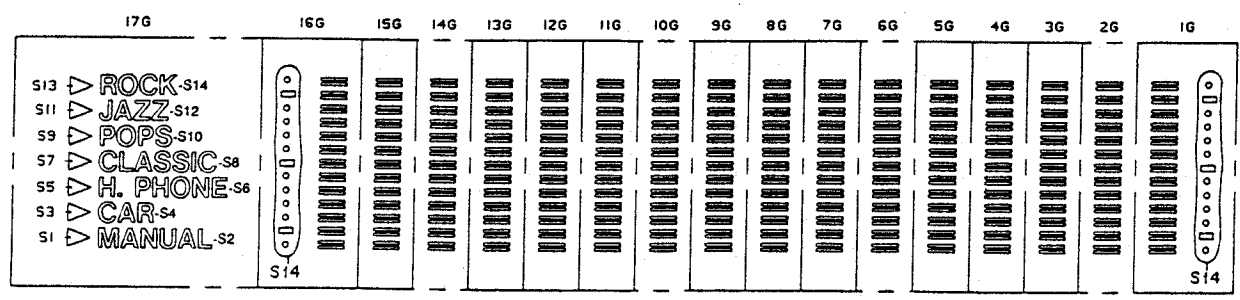
Inputs					Function
B1	SCK	SCLR	RCK	G	
X	X	X	X	H	Output (QA-QH) disable.
X	X	X	X	L	Output (CA-QH) enable.
X	X	L	X	X	Shift register is cleared.
L		H	X	X	Condition of shift register in initial stage is "L". In the other stages, data from the former stage is stored.
H		H	X	X	Condition of shift register in initial stage is "H". In the other stages, data from the former stage is stored.
X		H	X	X	Shift register does not change.
X	X	X		X	Shift register data is stored in the storage register.
X	X	X		X	Storage register does not change.

X: Don't care

Internal Connections for the Display Tube

■ FL901 : ELU0001-106

(1) Grid Division



(2) Terminal Connections

PIN CONNECTION

PIN NO.	1	2	3	4	5	6	7	8	9	10	11	12	13	14	15	16	17	18	19	20	21	22	23	24	25	26	27	28	29	30
CONNECTION	F	F	N	N	17	S	S	S	17	S	S	16	16	S	15	S	14	S	13	S	12	S	11	10	S	9	S	8	S	7
	I	I	P	C	G	I	2	3	G	4	5	G	G	6	G	7	G	8	G	9	G	10	G	G	11	G	12	G	13	G
PIN NO.	31	32	33	34	35	36	37	38	39	40	41	42	43	44	45	46														
CONNECTION	S	6	5	N	4	N	3	N	2	N	I	N	I	N	F	F														
	14	G	G	C	G	C	G	C	G	C	G	C	G	P	2	2														

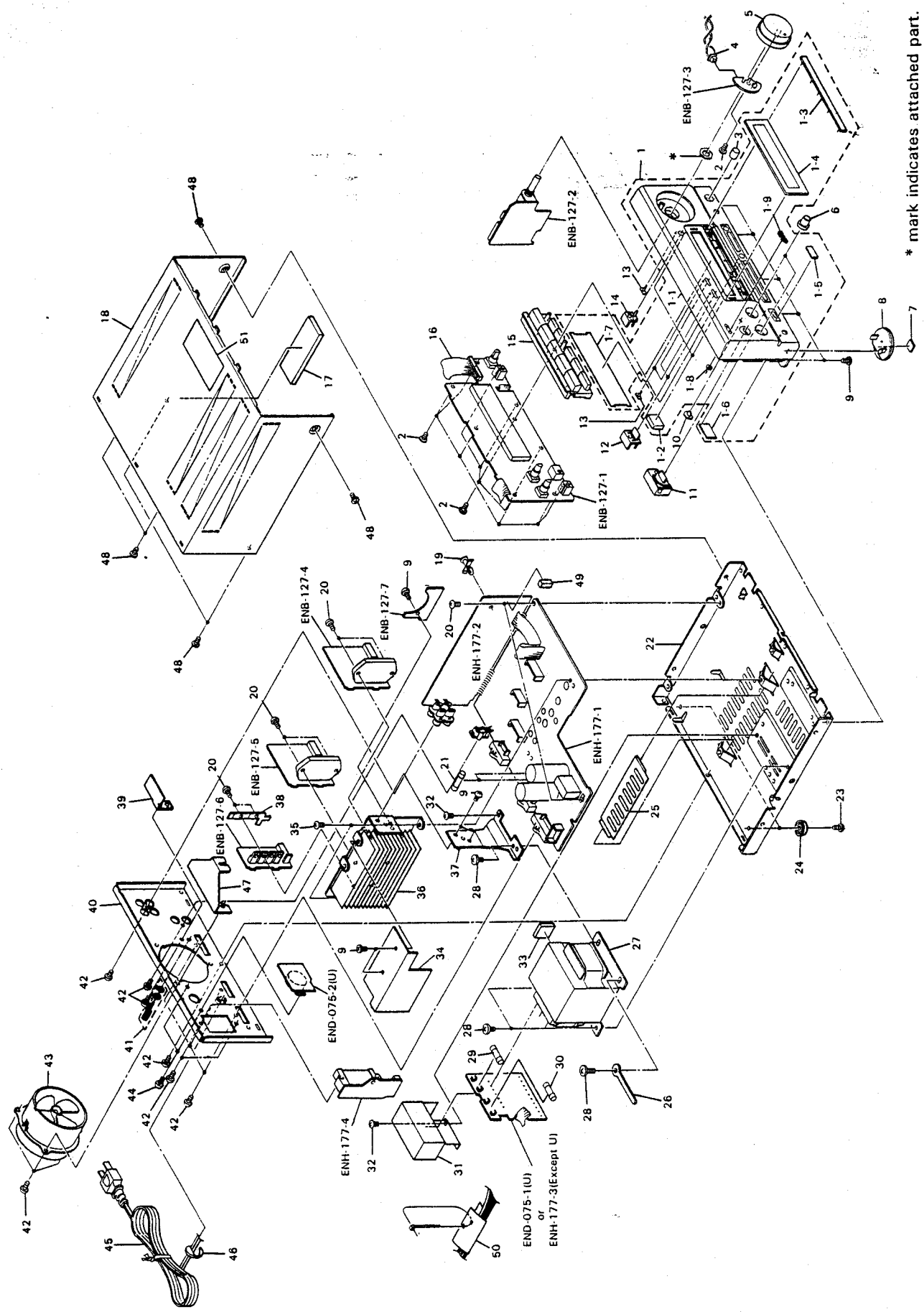
PARTS LIST

For Service Manuals Contact
MAURITRON TECHNICAL SERVICES
 8 Cherry Tree Rd, Chinnor
 Oxon OX9 4QY
 Tel:- 01844-351694 Fax:- 01844-352554
 Email:- enquiries@mauritron.co.uk

Contents

General Exploded View and Parts List	2-2
Printed Circuit Board Ass'y and Parts List	2-5
■ ENH-177 <input type="checkbox"/> Analog Switch & Power Supply PC Board Ass'y	2-5
■ ENB-127 <input type="checkbox"/> System Control & FL Display & Power Amplifier PC Board Ass'y	2-9
■ END-075 <input checked="" type="checkbox"/> Power Primary PC Board Ass'y	2-12

General Exploded View and Parts List



■ Parts List

△	Item	Part Number	Part Name	Q'ty	Description	Areas
	1	EFP-AXMX70BKE(S	Front Panel Ass'y	1		
	1-1	E102322-005	Front Panel	1		
	1-2	E306805-003	Spacer	2		
	1-3	E306922-003	Fitting	1		
	1-4	E306925-002	Window Screen	1		
	1-5	E406093-002	Remote Plate	1	For Service Manuals Contact MAURITRON TECHNICAL SERVICES 8 Cherry Tree Rd., Chinnor Oxon OX9 4QY Tel:- 01844-351694 Fax:- 01844-352554 Email:- enquiries@mauratron.co.uk	
	1-6	E406259-002	Spacer	1		
	1-7	E406575-001	FL Screen	1		
	1-8	E60912-003	Speed Nut	1		
	1-9	PQ42561	JVC Mark	1		
	2	SDSF2608Z	Screw	11		
	3	E306921-001	Knob	1	MIXING	
	4	EWS142-025	Socket Wire Ass'y	1		
	5	E306918-002	Volume Knob Ass'y	1		
	6	E306920-001	Knob	2	BALANCE BASS	
	7	E75896-001	Spacer	2	for Foot (Front)	
	8	E306935-001	Foot	2	Front	
	9	SDSG3008M	Screw	10		
	10	E406089-001	Indicator	1	STANDBY	
	11	E306914-002	Push Button Ass'y	1	POWER	
	12	E306916-002	Push Button	2	SORROUND	
	13	E406091-001	Indicator	3		
	14	E306917-001	Push Button	1	AI	
	15	E306913-001	Push Button Ass'y	1	SOURCE	
	16	EWR1ZE-11TT	Flat Cable	1		
	17	E306805-024	Spacer	1	for Metal Cover	
	18	E206809-006	Metal Cover	1		
	19	E69384-002	Fastener	1		
△	20	SBSG3014Z	Screw	8		
△	21	QMF51U1-1R6S	Fuse	2		J, C
△		QMF51A2-1R6S	Fuse	2		Except J, C, BS BS
△		QMF51E2-1R6SBS	Fuse	2		
	22	E102324-004	Chassis Base	1		
	23	SBSG3010N	Screw	2	for Foot (Rear)	
	24	E47227-029	Foot	2	Rear	
	25	E406638-001	Protect Sheet	1		
	26	E72018-001	Wire Clamp	1		
△	27	ETP1050-23JA	Power Transformer	1		J, C
△		ETP1050-23FA	Power Transformer	1		U
△		ETP1050-23EA	Power Transformer	1		A, E, EF, G, GI
△	28	ETP1050-23EABS	Power Transformer	1		BS
△	29	E65389-004	Special Screw	4	for Power Transformer	
△		QMF51U1-4R0S	Fuse	1		J, C
△		QMF51A2-1R6S	Fuse	1		Except J, C, BS
△		QMF51E2-1R6SBS	Fuse	1		BS
△	30	QMF51A2-4R0S	Fuse	1		U
	31	E307564-001	Primary Cover	1		
	32	SBSG3006M	Screw	2		
	33	E306805-025	Spacer	1		
	34	E307511-001	Heat Sink	1		
	35	SBSG3010CC	Screw	2		
	36	E307506-001	Heat Sink	1		
	37	E406636-001	Heat Sink Bracket	1		
	38	E406237-002	Leaf Spring	1		
	39	E406637-001	Shield Plate	1		
	40	E206807-014	Rear Panel	1		J
		E206807-015	Rear Panel	1		C
		E206807-016	Rear Panel	1		U
		E206807-017	Rear Panel	1		A
		E206807-018	Rear Panel	1		E, EF, G, GI

△	Item	Part Number	Part Name	Q'ty	Description	Areas
	41	E206807-019	Rear Panel	1		BS
	42	E70078-003	GND Terminal	1		
	43	SBSG3008M	Screw	13		
	44	E206880-001	Fan Ass'y	1		
	44	SBST3006M	Screw	2	for Voltage Selector	U
△	45	QMP1D00-200H	Power Cord	1		J, C
△		QMP2560-244	Power Cord	1		A
△		QMP3900-200	Power Cord	1		E, EF
△		QMP39A0-200	Power Cord	1		G, GI
△		QMP7520-200	Power Cord	1		U
△	46	QMP9017-008BS	Power Cord	1		BS
△		QHS3876-162	Cord Stopper	1		Except BS
△		QHS3876-162BS	Cord Stopper	1		BS
	47	E307571-001	Heat Sink Bracket	1		
	48	E75440-001	Special Screw	6	for Metal Cover	
	49	E306805-027	Spacer	1		
	50	E406642-001	Protect Cover	1		Except J, C
	51	E67000-017	Caution Label	1		
	-	E307570-001	Number Label	1		J
	-	E61029-009	Number Label	1		Except J
	-	E76016-004	Caution Label	1		J
	-	E65507-001	Caution Label	1		C
	-	E75803-001	Fuse Caution Label	1		J
	-	QZL1001-001	UL Label	1		J
	-	E45858-002	CSA Label	1		C
	-	E70028-001	Approval Label	1		E
	-	E74792-100	FTZ Label	1		G

The Marks for Designated Areas

△ Safety Parts

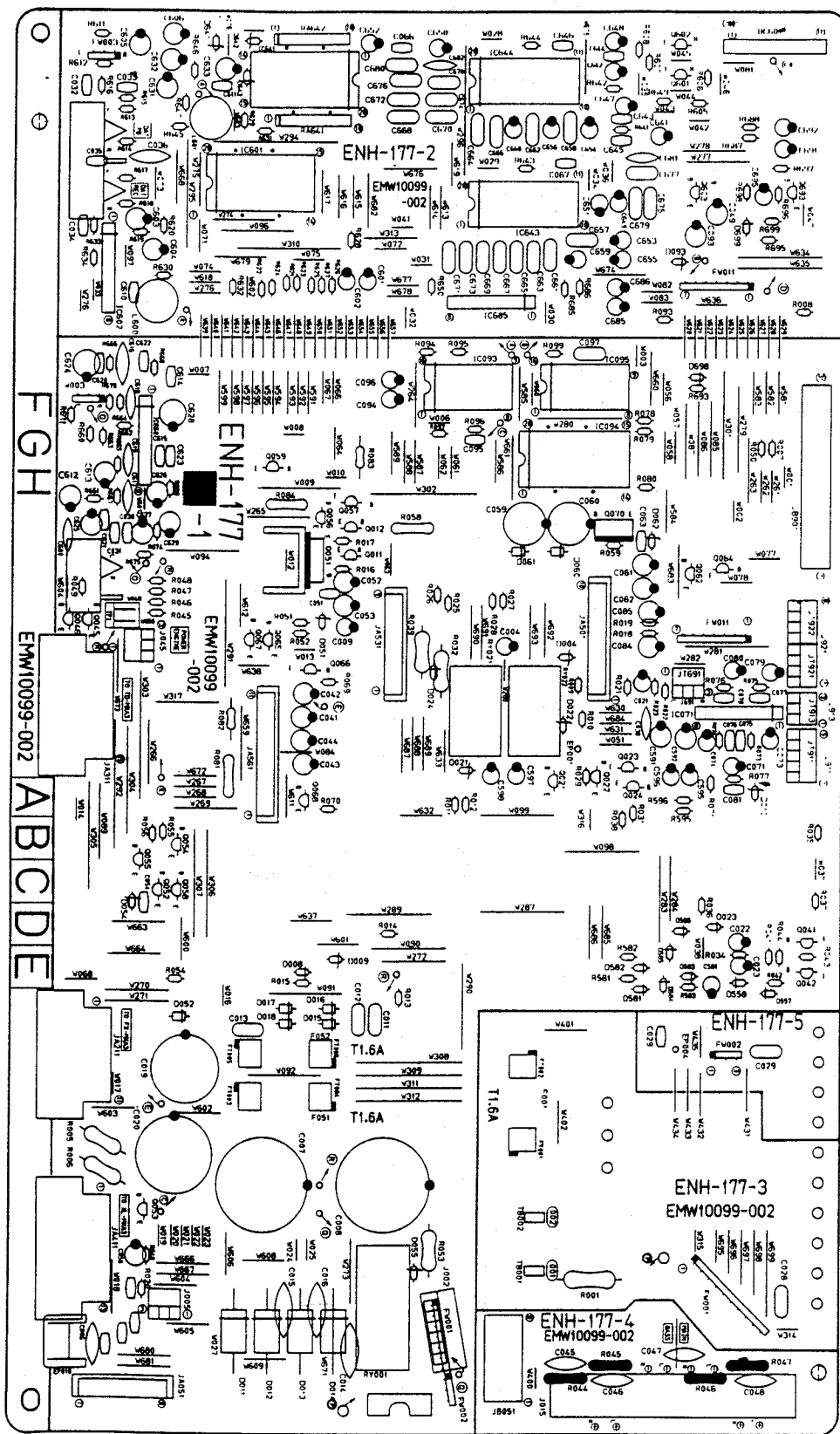
- J.....the U.S.A.
- C.....Canada
- A.....Australia
- E,EF.....Continental Europe
- G.....Germany
- BS.....the U.K.
- GI.....Italy
- U.....Universal Type
- No mark indicates all areas.

Printed Circuit Board Ass'y and Parts List

■ ENH-177 □ Analog Switch & Power Supply PC Board Ass'y

Note: ENH-177 □ varies according to the areas employed. See note (1) when placing an order.

For Service Manuals Contact:
MAURITRON TECHNICAL SERVICES
 8 Cherry Tree Rd, Chinnor
 Oxon OX9 4QY
 Tel: 01844-351694 Fax: 01844-352554
 Email: enquiries@mauritron.co.uk



Note (1)

PC Board Ass'y	Designated Areas
ENH-177 A	the U.S.A.
ENH-177 B	Canada
ENH-177 C	Universal Type
ENH-177 D	Continental Europe
ENH-177 E BS	the U.K.
ENH-177 F	Germany, Italy
ENH-177 G	Australia

Transistors

Δ	ITEM	PART NUMBER	DESCRIPTION	AREA
	Q011	DTC114YS	SILICON ROHM	
	Q012	DTC114YS	SILICON ROHM	
	Q021	2SC1685(R,S)	SILICON MATSUSHITA	
	Q022	2SC1685(R,S)	SILICON MATSUSHITA	
	Q023	2SC1740S(R,S)	SILICON ROHM	
	Q024	2SA733A(P,Q)	SILICON NEC	
	Q041	2SC1740S(R,S)	SILICON ROHM	
	Q042	2SC1740S(R,S)	SILICON ROHM	
	Q045	2SD2144S(VW)	SILICON ROHM	
	Q046	2SD2144S(VW)	SILICON ROHM	
	Q051	2SD1944(J,K)	SILICON ROHM	
	Q052	2SC1741A(Q,R)	SILICON ROHM	
	Q053	2SC1685(R,S)	SILICON MATSUSHITA	
	Q054	2SD1302(S,T)	SILICON MATSUSHITA	
	Q055	2SD1302(S,T)	SILICON MATSUSHITA	
	Q056	DTA114YS	SILICON ROHM	
	Q057	DTC114ES	SILICON ROHM	
	Q058	DTC114YS	SILICON ROHM	
	Q059	DTC114YS	SILICON ROHM	
	Q062	DTA144ES	SILICON ROHM	
	Q064	DTC114YS	SILICON ROHM	
	Q065	DTC144ES	SILICON ROHM	
	Q066	DTA114YS	SILICON ROHM	
	Q067	DTA144ES	SILICON ROHM	
	Q068	DTC114YS	SILICON ROHM	
	Q070	2SB1357(E,F)	SILICON ROHM	
	Q601	2SD2144S(VW)	SILICON ROHM	
	Q602	2SD2144S(VW)	SILICON ROHM	
	Q603	DTA144ES	SILICON ROHM	
	Q693	2SC1740S(R,S)	SILICON ROHM	

Δ : SAFETY PARTS

I.C.s

Δ	ITEM	PART NUMBER	DESCRIPTION	AREA
	IC071	BA15218N	I.C. ROHM	
	IC093	UPD7001C	I.C. NEC	
	IC094	TC9164N	I.C. TOSHIBA	
	IC095	XR-1091DCP	I.C. EXAR JAPAN	
	IC601	TC9163N	I.C. TOSHIBA	
	IC602	BA15218N	I.C. ROHM	
	IC641	LC7522	I.C. SANYO	
	IC643	LA3607S	I.C. SANYO	
	IC644	LA3607S	I.C. SANYO	
	IC660	VC4580LD	I.C. DAINICHI	
	IC685	BA15218N	I.C. ROHM	

Δ : SAFETY PARTS

Diodes

Δ	ITEM	PART NUMBER	DESCRIPTION	AREA
	D004	MTZ12JC	ZENER ROHM	
	D008	1SS133	SILICON ROHM	
	D009	MTZ5.1JC	ZENER ROHM	
	D010	MTZ5.1JC	ZENER ROHM	
	D011	S3V20F	SILICON SINDENGEN	A
	D011	S3V20F	SILICON SINDENGEN	B
	Δ D011	30DL2FC	SILICON NIHONINTER	C
	D011	S3V20F	SILICON SINDENGEN	D
	D011	S3V20F	SILICON SINDENGEN	EBS
	Δ D011	30DL2FC	SILICON NIHONINTER	F
	D011	S3V20F	SILICON SINDENGEN	G
	D012	S3V20F	SILICON SINDENGEN	A
	D012	S3V20F	SILICON SINDENGEN	B
	Δ D012	30DL2FC	SILICON NIHONINTER	C
	D012	S3V20F	SILICON SINDENGEN	D

Δ : SAFETY PARTS

Diodes

Δ	ITEM	PART NUMBER	DESCRIPTION	AREA
	D012	S3V20F	SILICON SINDENGEN	EBS
	Δ D012	30DL2FC	SILICON NIHONINTER	F
	D012	S3V20F	SILICON SINDENGEN	G
	D013	S3V20F	SILICON SINDENGEN	A
	D013	S3V20F	SILICON SINDENGEN	B
	Δ D013	30DL2FC	SILICON NIHONINTER	C
	D013	S3V20F	SILICON SINDENGEN	D
	Δ D013	30DL2FC	SILICON NIHONINTER	EBS
	D013	S3V20F	SILICON SINDENGEN	F
	D014	S3V20F	SILICON SINDENGEN	A
	D014	S3V20F	SILICON SINDENGEN	B
	Δ D014	30DL2FC	SILICON NIHONINTER	C
	D014	S3V20F	SILICON SINDENGEN	D
	Δ D014	30DL2FC	SILICON NIHONINTER	EBS
	D014	S3V20F	SILICON SINDENGEN	F
	D015	1SR139-200	SILICON ROHM	
	D016	1SR139-200	SILICON ROHM	
	D017	1SR139-200	SILICON ROHM	
	D018	1SR139-200	SILICON ROHM	
	D021	MTZ12JC	ZENER ROHM	
	D022	MTZ12JC	ZENER ROHM	
	D023	1SS133	SILICON ROHM	
	D024	1SS133	SILICON ROHM	
	D051	MTZ6.2JC	ZENER ROHM	
	D052	1SR139-200	SILICON ROHM	
	D054	MTZ7.5JC	ZENER ROHM	
	D055	MTZ12JC	ZENER ROHM	
	D060	1SR139-200	SILICON ROHM	
	D061	1SR139-200	SILICON ROHM	
	D062	MTZ30JC	ZENER ROHM	
	D093	MTZ5.1JC	ZENER ROHM	
	D557	1SS133	SILICON ROHM	
	D558	1SS133	SILICON ROHM	
	D581	1SS133	SILICON ROHM	
	D582	1SS133	SILICON ROHM	
	D583	1SS133	SILICON ROHM	
	D584	1SS133	SILICON ROHM	
	D585	1SS133	SILICON ROHM	
	D586	1SS133	SILICON ROHM	
	D641	RD6.8JSB3	ZENER NEC	
	D642	RD6.8JSB3	ZENER NEC	
	D643	MTZ5.1JC	ZENER ROHM	
	D699	1SS133	SILICON ROHM	

Δ : SAFETY PARTS

Capacitors

Δ	ITEM	PART NUMBER	DESCRIPTION	AREA
	C004	QE51CM-226	22MF 16V ELECTRO	
	C006	QCS21HJ-331	330PF 50V CERAMIC	
	C007	EEW4205-688T	6800MF ELECTRO	
	C008	EEW4205-688T	6800MF ELECTRO	
	C009	QE51HM-225G	2.2MF 50V ELECTRO	
	C011	QFLC2AK-103Z	0.01MF 100V MYLAR	
	C012	QFLC2AK-103Z	0.01MF 100V MYLAR	
	C013	QFLC2AK-103Z	0.01MF 100V MYLAR	
	C014	QCE22HP-103	0.01MF 500V CERAMIC	
	C015	QCE22HP-103	0.01MF 500V CERAMIC	
	C016	QCE22HP-103	0.01MF 500V CERAMIC	
	C019	EET3504-228T	2200MF ELECTRO	
	C020	EET3504-338T	3300MF ELECTRO	
	C021	QETB1HM-474	0.47MF 50V ELECTRO	
	C022	QER51CM-226	22MF 16V ELECTRO	
	C023	QER60JM-476	47MF 6.3V ELECTRO	
	C025	QCY21HK-102	1000PF 50V CERAMIC	
	C028	QFN81HK-103	0.01MF 50V MYLAR	
	C029	QFN82AK-103	0.01MF 100V MYLAR	D
	C029	QFN82AK-103	0.01MF 100V MYLAR	EBS
	C029	QFN82AK-103	0.01MF 100V MYLAR	F
	C030	QCB81HK-331	330PF 50V CERAMIC	
	C031	QCB81HK-331	330PF 50V CERAMIC	
	C032	QCB81HK-331	330PF 50V CERAMIC	F
	C033	QCB81HK-331	330PF 50V CERAMIC	F
	C034	QCB81HK-331	330PF 50V CERAMIC	F
	C035	QCB81HK-331	330PF 50V CERAMIC	F
	C036	QCF21HP-102	1000PF 50V CERAMIC	
	C038	QCS21HJ-331	330PF 50V CERAMIC	F
	C041	QETB1CM-476	47MF 16V ELECTRO	
	C042	QETB1CM-476	47MF 16V ELECTRO	
	C043	QETB1CM-476	47MF 16V ELECTRO	
	C044	QETB1CM-476	47MF 16V ELECTRO	
	C045	QFN81HK-103	0.01MF 50V MYLAR	F
	C046	QFN81HK-103	0.01MF 50V MYLAR	F
	C047	QFN81HK-103	0.01MF 50V MYLAR	F
	C048	QFN81HK-103	0.01MF 50V MYLAR	F
	C049	QETB1AM-107	100MF 10V ELECTRO	
	C050	QETB1HM-106	10MF 50V ELECTRO	
	C052	QETB1AM-107	100MF 10V ELECTRO	
	C053	QETB1CM-226	22MF 16V ELECTRO	
	C054	QCVB1CM-103	0.01MF 16V CERAMIC	
	C059	QETB1JM-227	220MF 63V ELECTRO	
	C060	QETB1JM-227	220MF 63V ELECTRO	
	C061	QETB1HM-226	22MF 50V ELECTRO	

Δ : SAFETY PARTS

Capacitors

Δ	ITEM	PART NUMBER	DESCRIPTION	AREA
	C062	QETB1HM-226	22MF 50V ELECTRO	
	C063	QCGB1HK-102	1000PF 50V CERAMIC	F
	C066	QCB1HK-101	100PF 50V CERAMIC	F
	C067	QCB1HK-101	100PF 50V CERAMIC	F
	C071	QEK51EM-475G	4.7MF 25V ELECTRO	
	C073	QEK51CM-106G	10MF 16V ELECTRO	
	C074	QEK51CM-106G	10MF 16V ELECTRO	
	C075	QCB1HK-101	100PF 50V CERAMIC	
	C076	QCB1HK-101	100PF 50V CERAMIC	
	C077	QCGB1HK-102	1000PF 50V CERAMIC	
	C078	QCGB1HK-102	1000PF 50V CERAMIC	
	C079	QEK51EM-475G	4.7MF 25V ELECTRO	
	C080	QEK51EM-475G	4.7MF 25V ELECTRO	
	C081	QCGB1HK-102	1000PF 50V CERAMIC	
	C084	QEK51EM-106	10MF 25V ELECTRO	
	C085	QEK51EM-106	10MF 25V ELECTRO	
	C086	QCF21HP-473	0.047MF 50V CERAMIC	
	C087	QCF21HP-473	0.047MF 50V CERAMIC	
	C090	QETB1HM-475E	4.7MF 50V ELECTRO	
	C091	QCF21HP-223	0.022MF 50V CERAMIC	
	C092	QCF21HP-223	0.022MF 50V CERAMIC	
	C093	QEK51CM-106G	10MF 16V ELECTRO	
	C094	QEK51CM-106G	10MF 16V ELECTRO	
	C095	QCSB1HJ-470	4.7PF 50V CERAMIC	
	C096	QEK51EM-475G	4.7MF 25V ELECTRO	
	C097	QFLC1HJ-1022	1000PF 50V MYLAR	
	C581	QEK51CM-106G	10MF 16V ELECTRO	
	C591	EEZ5009-106	10MF ELECTRO	
	C592	EEZ5009-106	10MF ELECTRO	
	C595	QEK51HM-474G	0.47MF 50V ELECTRO	
	C596	QEK51HM-474G	0.47MF 50V ELECTRO	
	C597	QETB1HM-474	0.47MF 50V ELECTRO	
	C598	QETB1HM-474	0.47MF 50V ELECTRO	
	C600	QCC21EM-473	0.047MF 25V CERAMIC	
	C601	QETB1HM-475	4.7MF 50V ELECTRO	
	C602	QETB1HM-475	4.7MF 50V ELECTRO	
	C603	QETB1HM-475	4.7MF 50V ELECTRO	
	C604	QETB1HM-475	4.7MF 50V ELECTRO	
	C605	QETB1HM-475	4.7MF 50V ELECTRO	
	C606	QETB1HM-475	4.7MF 50V ELECTRO	
	C607	QCC21EM-473	0.047MF 25V CERAMIC	
	C608	QCC21EM-473	0.047MF 25V CERAMIC	
	C610	QCB1HK-101	100PF 50V CERAMIC	
	C611	QCB1HK-101	100PF 50V CERAMIC	
	C612	QETB1HM-475	4.7MF 50V ELECTRO	
	C613	QETB1HM-475	4.7MF 50V ELECTRO	
	C614	QCB1HK-101	100PF 50V CERAMIC	
	C615	QCB1HK-101	100PF 50V CERAMIC	
	C616	QCY21HK-182	1800PF 50V CERAMIC	
	C617	QCY21HK-182	1800PF 50V CERAMIC	
	C618	QCY21HK-682	6800PF 50V CERAMIC	
	C619	QCY21HK-682	6800PF 50V CERAMIC	
	C620	QCB1HK-101	100PF 50V CERAMIC	
	C621	QCB1HK-101	100PF 50V CERAMIC	
	C622	QCB1HK-101	100PF 50V CERAMIC	
	C623	QCB1HK-101	100PF 50V CERAMIC	
	C624	QETB1HM-475	4.7MF 50V ELECTRO	
	C625	QETB1HM-475	4.7MF 50V ELECTRO	
	C626	QETB1EM-476	4.7MF 25V ELECTRO	
	C627	QETB1EM-476	4.7MF 25V ELECTRO	
	C628	QETB1EM-107	100MF 25V ELECTRO	
	C629	QETB1EM-107	100MF 25V ELECTRO	
	C631	QETB1CM-226	22MF 16V ELECTRO	
	C632	QETB1CM-226	22MF 16V ELECTRO	
	C633	QETB1AM-107	100MF 10V ELECTRO	
	C641	QEK51EM-475G	4.7MF 25V ELECTRO	
	C642	QEK51EM-475G	4.7MF 25V ELECTRO	
	C643	QCSB1HJ-470	4.7PF 50V CERAMIC	
	C644	QCSB1HJ-470	4.7PF 50V CERAMIC	
	C645	QCB1HK-101	100PF 50V CERAMIC	
	C646	QCB1HK-101	100PF 50V CERAMIC	
	C647	QEK51EM-475G	4.7MF 25V ELECTRO	
	C648	QEK51EM-475G	4.7MF 25V ELECTRO	
	C649	QEK51EM-475G	4.7MF 25V ELECTRO	
	C650	QEK51EM-475G	4.7MF 25V ELECTRO	
	C651	QEK51HM-225G	2.2MF 50V ELECTRO	
	C652	QEK51HM-225G	2.2MF 50V ELECTRO	
	C653	QEK51HM-474G	0.47MF 50V ELECTRO	
	C654	QEK51HM-474G	0.47MF 50V ELECTRO	
	C655	QEK51HM-224G	0.22MF 50V ELECTRO	
	C656	QEK51HM-224G	0.22MF 50V ELECTRO	
	C657	QFV81HJ-124	0.12MF 50V T. FILM	
	C658	QFV81HJ-124	0.12MF 50V T. FILM	
	C659	QEK51HM-224G	0.22MF 50V ELECTRO	
	C660	QEK51HM-224G	0.22MF 50V ELECTRO	
	C661	QFV81HJ-473	0.047MF 50V T. FILM	
	C662	QFV81HJ-473	0.047MF 50V T. FILM	
	C663	QFV81HJ-104	0.1MF 50V T. FILM	
	C664	QFV81HJ-104	0.1MF 50V T. FILM	
	C665	QFV81HJ-183	0.018MF 50V T. FILM	
	C666	QFV81HJ-183	0.018MF 50V T. FILM	
	C667	QFV81HJ-393	0.039MF 50V T. FILM	
	C668	QFV81HJ-393	0.039MF 50V T. FILM	
	C669	QFLB1HJ-682	6800PF 50V MYLAR	
	C670	QFLB1HJ-682	6800PF 50V MYLAR	
	C671	QFV81HJ-153	0.015MF 50V T. FILM	
	C672	QFV81HJ-153	0.015MF 50V T. FILM	
	C673	QFLB1HJ-272	2700PF 50V MYLAR	

Δ SAFETY PARTS

Capacitors

Δ	ITEM	PART NUMBER	DESCRIPTION	AREA
	C674	QFLB1HJ-272	2700PF 50V MYLAR	
	C675	QFLB1HJ-562	5600PF 50V MYLAR	
	C676	QFLB1HJ-562	5600PF 50V MYLAR	
	C677	QFLB1HJ-122	1200PF 50V MYLAR	
	C678	QFLB1HJ-122	1200PF 50V MYLAR	
	C679	QFLB1HJ-222	2200PF 50V MYLAR	
	C680	QFLB1HJ-222	2200PF 50V MYLAR	
	C681	QCS21HJ-471	470PF 50V CERAMIC	
	C682	QCS21HJ-471	470PF 50V CERAMIC	
	C685	QEK51EM-475G	4.7MF 25V ELECTRO	
	C686	QEK51EM-475G	4.7MF 25V ELECTRO	
	C691	QEK51EM-475G	4.7MF 25V ELECTRO	
	C692	QEK51EM-475G	4.7MF 25V ELECTRO	
	C695	QEK51HM-474G	0.47MF 50V ELECTRO	

Δ SAFETY PARTS

Resistors

Δ	ITEM	PART NUMBER	DESCRIPTION	AREA
	R001	QRC128K-275EM	2.7M 1/2W COMPOSI	A
	R001	QRC128K-275EM	2.7M 1/2W COMPOSI	B
	R005	QRX012J-R82A	0.82 1W M. FILM	
	R006	QRX012J-R82A	0.82 1W M. FILM	
	R007	QRD167J-102	1K 1/6W CARBON	
	R008	QRD167J-332	3.3K 1/6W CARBON	
	R009	QRD167J-102	1K 1/6W CARBON	
	R010	QRD167J-102	1K 1/6W CARBON	
	R011	QRD167J-102	1K 1/6W CARBON	
	R012	QRD167J-102	1K 1/6W CARBON	
	R015	QRD167J-103	10K 1/6W CARBON	
	R016	QRD167J-103	10K 1/6W CARBON	
	R017	QRD167J-102	1K 1/6W CARBON	
	R018	QRD167J-681	680 1/6W CARBON	
	R019	QRD167J-681	680 1/6W CARBON	
	R021	QRD167J-105	1M 1/6W CARBON	
	R022	QRD167J-473	47K 1/6W CARBON	
	R023	QRD167J-224	220K 1/6W CARBON	
	R025	QRD167J-823	82K 1/6W CARBON	
	R026	QRD167J-104	100K 1/6W CARBON	
	R027	QRD167J-823	82K 1/6W CARBON	
	R028	QRD167J-104	100K 1/6W CARBON	
	R029	QRD167J-473	47K 1/6W CARBON	
	R031	QRD167J-103	10K 1/6W CARBON	
	R032	QRG012J-271A	270 1W O.M. FILM	
	R034	QRD167J-104	100K 1/6W CARBON	
	R035	QRD167J-222	2.2K 1/6W CARBON	
	R036	QRD167J-152	1.5K 1/6W CARBON	
	R037	QRD167J-103	10K 1/6W CARBON	
	R038	QRD167J-104	100K 1/6W CARBON	
	R039	QRG012J-122A	1.2K 1W O.M. FILM	
	R040	QRD167J-223	22K 1/6W CARBON	
	R041	QRD167J-302	3K 1/6W CARBON	
	R042	QRD167J-820	82 1/6W CARBON	
	R043	QRD167J-820	82 1/6W CARBON	
	R044	QRD167J-751	750 1/6W CARBON	
	R044	QRD14CJ-100S	10 1/4W UNF. CARBON	F
	R045	QRD14CJ-100S	10 1/4W UNF. CARBON	F
	R046	QRD14CJ-100S	10 1/4W UNF. CARBON	F
	R047	QRD14CJ-100S	10 1/4W UNF. CARBON	F
	R049	QRD167J-222	2.2K 1/6W CARBON	
	R050	QRD167J-222	2.2K 1/6W CARBON	
	R051	QRD167J-103	10K 1/6W CARBON	
	R052	QRD167J-103	10K 1/6W CARBON	
	R053	QRG012J-221A	220 1W O.M. FILM	
	R054	QRD167J-222	2.2K 1/6W CARBON	
	R055	QRD167J-562	5.6K 1/6W CARBON	
	R056	QRD167J-562	5.6K 1/6W CARBON	
	R058	PTH61G25AR4R7M	FUSIBLE	
	R059	QRD167J-332	3.3K 1/6W CARBON	
	R065	QRD167J-430	43 1/6W CARBON	
	R066	QRD167J-430	43 1/6W CARBON	
	R067	QRD167J-240	24 1/6W CARBON	
	R068	QRD167J-240	24 1/6W CARBON	
	R069	QRD167J-103	10K 1/6W CARBON	
	R070	QRD167J-103	10K 1/6W CARBON	
	R071	QRD167J-103	10K 1/6W CARBON	
	R073	QRD167J-331	330 1/6W CARBON	
	R074	QRD167J-331	330 1/6W CARBON	
	R075	QRD167J-223	22K 1/6W CARBON	
	R076	QRD167J-223	22K 1/6W CARBON	
	R077	QRD167J-331	330 1/6W CARBON	
	R078	QRD167J-102	1K 1/6W CARBON	
	R079	QRD167J-102	1K 1/6W CARBON	
	R080	QRD167J-102	1K 1/6W CARBON	
	R081	QRX012J-R47A	0.47 1W M. FILM	C
	R081	QRX012J-R47A	0.47 1W M. FILM	D
	R081	QRX012J-R47A	0.47 1W M. FILM	EBS
	R081	QRX012J-R47A	0.47 1W M. FILM	F
	R081	QRX012J-R47A	0.47 1W M. FILM	G
	R082	QRZ0077-100	10 1/4W FUSIBLE	
	R086	QRD145J-220S	22 1/4W UNF. CARBON	A
	R086	QRD145J-220S	22 1/4W UNF. CARBON	B
	R087	QRD145J-220S	22 1/4W UNF. CARBON	A
	R087	QRD145J-220S	22 1/4W UNF. CARBON	B

Δ SAFETY PARTS

Resistors

Δ	ITEM	PART NUMBER	DESCRIPTION	AREA
	R093	QRD167J-471	470 1/6W CARBON	
	R094	QRD167J-223	22K 1/6W CARBON	
	R095	QRD167J-223	22K 1/6W CARBON	
	R096	QRD167J-273	27K 1/6W CARBON	
	R097	QRD167J-223	22K 1/6W CARBON	
	R099	QRD167J-152	1.5K 1/6W CARBON	
	R581	QRD167J-153	15K 1/6W CARBON	
	R582	QRD167J-153	15K 1/6W CARBON	
	R583	QRD167J-103	10K 1/6W CARBON	
	R595	QRD167J-272	2.7K 1/6W CARBON	
	R596	QRD167J-272	2.7K 1/6W CARBON	
	R605	QRD167J-103	10K 1/6W CARBON	
	R606	QRD167J-103	10K 1/6W CARBON	
	R607	QRD167J-472	4.7K 1/6W CARBON	
	R608	QRD167J-472	4.7K 1/6W CARBON	
	R611	QRD167J-562	5.6K 1/6W CARBON	
	R612	QRD167J-562	5.6K 1/6W CARBON	
	R613	QRD167J-123	12K 1/6W CARBON	
	R614	QRD167J-123	12K 1/6W CARBON	
	R615	QRD167J-683	68K 1/6W CARBON	
	R616	QRD167J-683	68K 1/6W CARBON	
	R617	QRD167J-102	1K 1/6W CARBON	
	R618	QRD167J-102	1K 1/6W CARBON	
	R619	QRD167J-104	100K 1/6W CARBON	
	R620	QRD167J-104	100K 1/6W CARBON	
	R621	QRD167J-102	1K 1/6W CARBON	
	R622	QRD167J-102	1K 1/6W CARBON	
	R623	QRD167J-562	5.6K 1/6W CARBON	
	R624	QRD167J-562	5.6K 1/6W CARBON	
	R625	QRD167J-222	2.2K 1/6W CARBON	
	R626	QRD167J-222	2.2K 1/6W CARBON	
	R627	QRD167J-562	5.6K 1/6W CARBON	
	R628	QRD167J-562	5.6K 1/6W CARBON	
	R629	QRD167J-102	1K 1/6W CARBON	
	R630	QRD167J-102	1K 1/6W CARBON	
	R631	QRD167J-103	10K 1/6W CARBON	
	R632	QRD167J-103	10K 1/6W CARBON	
	R633	QRD167J-104	100K 1/6W CARBON	
	R634	QRD167J-104	100K 1/6W CARBON	
	R641	QRD167J-123	12K 1/6W CARBON	
	R642	QRD167J-123	12K 1/6W CARBON	
	R643	QRD167J-113	11K 1/6W CARBON	
	R644	QRD167J-113	11K 1/6W CARBON	
	R645	QRD167J-271	270 1/6W CARBON	
	R646	QRD167J-271	270 1/6W CARBON	
	R647	QRD167J-431	430 1/6W CARBON	
	R649	QRD167J-223	22K 1/6W CARBON	
	R650	QRD167J-223	22K 1/6W CARBON	
	R660	QRD167J-222	2.2K 1/6W CARBON	
	R661	QRD167J-222	2.2K 1/6W CARBON	
	R662	QRD167J-473	47K 1/6W CARBON	
	R663	QRD167J-473	47K 1/6W CARBON	
	R664	QRD167J-474	470K 1/6W CARBON	
	R665	QRD167J-474	470K 1/6W CARBON	
	R666	QRD167J-393	39K 1/6W CARBON	
	R667	QRD167J-393	39K 1/6W CARBON	
	R668	QRD167J-561	560 1/6W CARBON	
	R669	QRD167J-561	560 1/6W CARBON	
	R670	QRD167J-122	1.2K 1/6W CARBON	
	R671	QRD167J-122	1.2K 1/6W CARBON	
	R674	QRD167J-681	680 1/6W CARBON	
	R675	QRD167J-681	680 1/6W CARBON	
	R685	QRD167J-104	100K 1/6W CARBON	
	R686	QRD167J-104	100K 1/6W CARBON	
	R687	QRD167J-224	220K 1/6W CARBON	
	R688	QRD167J-224	220K 1/6W CARBON	
	R695	QRD167J-562	5.6K 1/6W CARBON	
	R696	QRD167J-104	100K 1/6W CARBON	
	R697	QRD167J-103	10K 1/6W CARBON	
	R698	QRD167J-104	100K 1/6W CARBON	
	R699	QRD167J-473	47K 1/6W CARBON	
	RA641	QRB099J-474	470K 1/10W R.NETWORK	
	RA642	QRB099J-474	470K 1/10W R.NETWORK	

Δ : SAFETY PARTS

Others

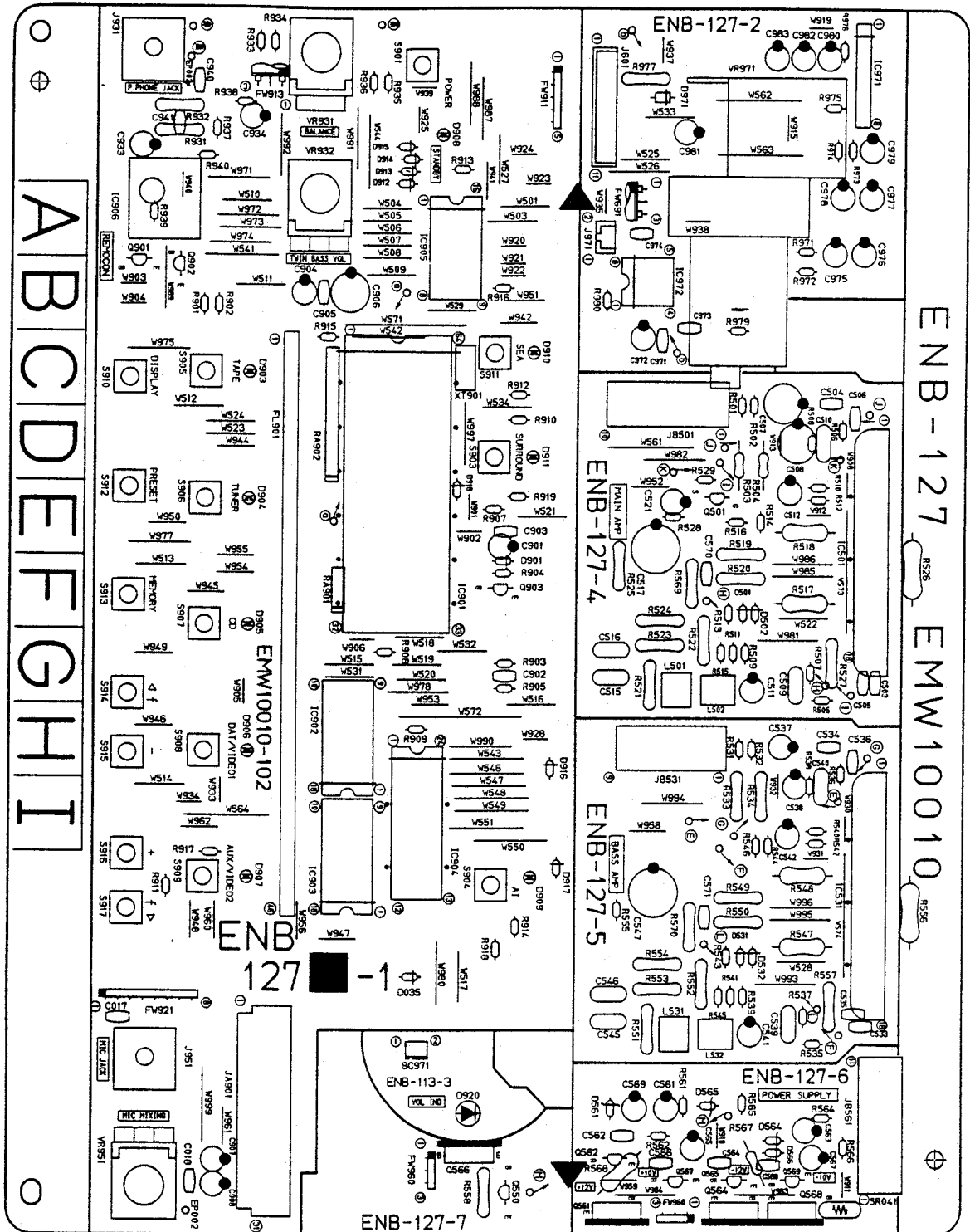
Δ	ITEM	PART NUMBER	DESCRIPTION	AREA
		E3400-431	SPACER	
		E70306-005	HEAT SINK	
		SBSG3008Z	SCREW	
		EMW10099-002	CIRCUIT BOARD	A
		E61380-010	FUSE LABEL	A
		E61380-032	FUSE LABEL	A
		EMW10099-002	CIRCUIT BOARD	B
		E61380-010	FUSE LABEL	B
		E61380-032	FUSE LABEL	B
		EMW10099-002	CIRCUIT BOARD	C
		EMW10099-002	CIRCUIT BOARD	D
		EMW10099-002BS	CIRCUIT BOARD	EBS
		EMW10099-002	CIRCUIT BOARD	F
		EMW10099-002	CIRCUIT BOARD	G
	J002	VMC0107-006	CONNECT TERMINAL (6PIN)	C
	J005	EMV7122-103	CONNECTOR (2PIN)	
	J015	EMB90TV-803A	SPEAKER TERMINAL	
	J045	EMV7122-103	CONNECTOR (2PIN)	
	J085	EMN00TV-215A	2P PIN JACK	
	J601	EMN00TV-405A	4P PIN JACK	
	L600	EQL2106-223	INDUCTOR	
	L601	EQL2106-223	INDUCTOR	
	BC601	EWS25B-A057	SOCKET WIRE (11PIN)	
	EP001	EWTO11-092	TERMINAL WIRE	F
	EP002	E70859-001	EARTH PLATE	
	EP010	E70225-001	EARTH PLATE	
	FT001	EMG7331-002	FUSE CLIP	A
	FT001	EMG7331-002	FUSE CLIP	B
	FT001	EMG7331-002	FUSE CLIP	D
	FT001	EMG7331-002	FUSE CLIP	EBS
	FT001	EMG7331-002	FUSE CLIP	F
	FT001	EMG7331-002	FUSE CLIP	G
	FT002	EMG7331-002U	FUSE CLIP	A
	FT002	EMG7331-002U	FUSE CLIP	B
	FT002	EMG7331-002U	FUSE CLIP	D
	FT002	EMG7331-002U	FUSE CLIP	EBS
	FT002	EMG7331-002U	FUSE CLIP	F
	FT002	EMG7331-002U	FUSE CLIP	G
	FT003	EMG7331-002	FUSE CLIP	
	FT004	EMG7331-002U	FUSE CLIP	
	FT005	EMG7331-002	FUSE CLIP	
	FT006	EMG7331-002U	FUSE CLIP	
	FW001	EWR3AB-16SST	FLAT WIRE (10PIN)	A
	FW001	EWR3AB-16SST	FLAT WIRE (10PIN)	B
	FW001	EWR3AB-16SST	FLAT WIRE (10PIN)	D
	FW001	EWR3AB-16SST	FLAT WIRE (10PIN)	EBS
	FW001	EWR3AB-16SST	FLAT WIRE (10PIN)	F
	FW001	EWR3AB-16SST	FLAT WIRE (10PIN)	G
	FW002	EWR33B-20SST	FLAT WIRE (3PIN)	C
	FW003	EWR33B-16SST	FLAT WIRE (3PIN)	
	FW011	EWR37B-16SST	FLAT WIRE (7PIN)	
	JA051	EMV5125-008	PLUG ASSY (8PIN)	
	JA211	EMV7127-011	CONNECTOR (11PIN)	
	JA311	EMV7127-015	CONNECTOR (16PIN)	
	JA411	EMV7127-013	CONNECTOR (13PIN)	
	JA501	EMV5125-010	PLUG ASSY (10PIN)	
	JA531	EMV5125-009	PLUG ASSY (9PIN)	
	JA561	EMV5125-011	PLUG ASSY (11PIN)	
	JB051	EMV7125-008R	CONNECTOR (8PIN)	
	JB901	EMV7123-031	CONNECTOR (31PIN)	
	JT691	EMV7122-103	CONNECTOR (3PIN)	
	JT911	EMV7122-005	CONNECTOR (5PIN)	
	JT913	EMV7122-103	CONNECTOR (3PIN)	
	JT921	EMV7122-004	CONNECTOR (4PIN)	
	JT922	EMV7122-004	CONNECTOR (4PIN)	
	RY001	ESK1012-211M	RELAY	
	RY021	ESK8012-211M	RELAY	
	RY022	ESK8012-211M	RELAY	
	TB001	E65508-002	TAB	A
	TB001	E65508-002	TAB	B
	TB001	E65508-002	TAB	D
	TB001	E65508-002	TAB	EBS
	TB001	E65508-002	TAB	F
	TB001	E65508-002	TAB	G
	TB002	E65508-002	TAB	A
	TB002	E65508-002	TAB	B
	TB002	E65508-002	TAB	D
	TB002	E65508-002	TAB	EBS
	TB002	E65508-002	TAB	F
	TB002	E65508-002	TAB	G

Δ : SAFETY PARTS

For Service Manuals Contact
MAURITRON TECHNICAL SERVICES
 8 Cherry Tree Rd, Chinnor
 Oxon OX9 4QY
 Tel:- 01844-351694 Fax:- 01844-352554
 Email:- enquiries@mauritron.co.uk

■ENB-127 □ System Control & FL Display & Power Amplifier PC Board Ass'y

Note: ENB-127 □ varies according to the areas employed. See note (1) when placing an order.



Note (1)

PC Board Ass'y	Designated Areas
ENB-127 A	the U.S.A., Canada
ENB-127 B	Australia, the U.K. Continental Europe Universal Type
ENB-127 C	Germany, Italy

Transistors

Δ	ITEM	PART NUMBER	DESCRIPTION	AREA
	Q501	2SK301(P,Q)	F.E.T MATSUSHITA	
	Q550	2SC1685(R,S)	SILICON MATSUSHITA	A
	Q561	2SD2061(E,F)	SILICON ROHM	
	Q562	2SC1685(R,S)	SILICON MATSUSHITA	A
	Q563	2SC1685(R,S)	SILICON MATSUSHITA	
	Q564	2SB1187(E,F)	SILICON ROHM	
	Q565	2SA564A(R,S)	SILICON MATSUSHITA	
	Q566	2SD2061(E,F)	SILICON ROHM	
	Q567	2SC1685(R,S)	SILICON MATSUSHITA	
	Q568	2SB1187(E,F)	SILICON ROHM	
	Q569	2SA564A(R,S)	SILICON MATSUSHITA	
	Q901	DTC113ZS	SILICON ROHM	
	Q902	DTA144ES	SILICON ROHM	
	Q903	DTC114YS	SILICON ROHM	

Δ : :SIA:FEITY: :PARTS:

I.C.s

Δ	ITEM	PART NUMBER	DESCRIPTION	AREA
	IC501	STK414MK5	I.C. SANYO	
	IC531	STK414MK5	I.C. SANYO	
	IC901	MN171202JNY	I.C. MATSUSHITA	
	IC902	AN6873N	I.C. MATSUSHITA	
	IC903	AN6873N	I.C. MATSUSHITA	
	IC904	TC74HC154AP	I.C. TOSHIBA	
	IC905	TC74HC595AP	I.C. TOSHIBA	
	IC906	GP1U501X	I.C. SHARP	
	IC971	BA15218N	I.C. ROHM	
	IC972	LB1639-CV	I.C. SANYO	

Δ : :SIA:FEITY: :PARTS:

Diodes

Δ	ITEM	PART NUMBER	DESCRIPTION	AREA
	D035	1SS133	SILICON ROHM	
	D501	1SS133	SILICON ROHM	
	D502	1SS133	SILICON ROHM	
	D531	1SS133	SILICON ROHM	
	D532	1SS133	SILICON ROHM	
	D561	RD13JSB3	ZENER NEC	
	D564	RD13JSB3	ZENER NEC	
	D565	MTZ11JC	ZENER ROHM	
	D566	MTZ11JC	ZENER ROHM	
	D900	MTZ5.6JC	ZENER ROHM	
	D901	1SS133	SILICON ROHM	
	D903	SLH-34VC3F	L.E.D. ROHM	
	D904	SLH-34VC3F	L.E.D. ROHM	
	D905	SLH-34VC3F	L.E.D. ROHM	
	D906	SLH-34VC3F	L.E.D. ROHM	
	D907	SLH-34VC3F	L.E.D. ROHM	
	D908	SLH-34VC3F	L.E.D. ROHM	
	D909	SLH-34VC3F	L.E.D. ROHM	
	D910	SLH-34DC3F	L.E.D. ROHM	
	D911	SLH-34DC3F	L.E.D. ROHM	
	D912	1SS133	SILICON ROHM	
	D913	1SS133	SILICON ROHM	
	D914	1SS133	SILICON ROHM	
	D915	1SS133	SILICON ROHM	
	D916	1SS133	SILICON ROHM	
	D917	1SS133	SILICON ROHM	
	D918	1SS133	SILICON ROHM	
	D920	LN282RPX	L.E.D.	
	D971	1SR139-200	SILICON ROHM	

Δ : :SIA:FEITY: :PARTS:

Capacitors

Δ	ITEM	PART NUMBER	DESCRIPTION	AREA
	C017	QCC21EM-473	0.047MF 25V CERAMIC	
	C503	QCBB1HK-101	100PF 50V CERAMIC	
	C504	QCBB1HK-101	100PF 50V CERAMIC	
	C505	QCBB1HK-101	100PF 50V CERAMIC	
	C506	QCBB1HK-101	100PF 50V CERAMIC	
	C507	EEZ2505-107	100MF ELECTRO	
	C508	EEZ2505-107	100MF ELECTRO	
	C509	QCS21HJ-5R0	5PF 50V CERAMIC	
	C510	QCS21HJ-5R0	5PF 50V CERAMIC	
	C511	QETB1HM-226	22MF 50V ELECTRO	
	C512	QETB1HM-226	22MF 50V ELECTRO	
	C515	QFLB1HK-473	0.047MF 50V MYLAR	
	C516	QFLB1HK-473	0.047MF 50V MYLAR	
	C517	QETB2AM-476	47MF 100V ELECTRO	
	C521	QEK51HM-224G	0.22MF 50V ELECTRO	
	C533	QCBB1HK-101	100PF 50V CERAMIC	
	C534	QCBB1HK-101	100PF 50V CERAMIC	
	C535	QCXB1CM-392	3900PF 16V CERAMIC	
	C536	QCXB1CM-392	3900PF 16V CERAMIC	
	C537	QETB1HM-225	2.2MF 50V ELECTRO	
	C538	QETB1HM-225	2.2MF 50V ELECTRO	
	C539	QFLB1HK-333	0.033MF 50V MYLAR	
	C540	QFLB1HK-333	0.033MF 50V MYLAR	
	C541	QETB1HM-226	22MF 50V ELECTRO	
	C542	QETB1HM-226	22MF 50V ELECTRO	
	C545	QFLB1HK-473	0.047MF 50V MYLAR	
	C546	QFLB1HK-473	0.047MF 50V MYLAR	
	C547	QETB2AM-476	47MF 100V ELECTRO	
	C561	QETB1EM-226	22MF 25V ELECTRO	
	C562	QCCB1HK-102	1000PF 50V CERAMIC	
	C563	QETB1CM-226	22MF 16V ELECTRO	
	C564	QCCB1HK-102	1000PF 50V CERAMIC	
	C565	QETB1CM-226	22MF 16V ELECTRO	
	C566	QCCB1HK-102	1000PF 50V CERAMIC	
	C567	QETB1CM-226	22MF 16V ELECTRO	
	C568	QCCB1HK-102	1000PF 50V CERAMIC	
	C569	QETB1CM-476	47MF 16V ELECTRO	
	C570	QCBB1HK-681	680PF 50V CERAMIC	
	C571	QCBB1HK-681	680PF 50V CERAMIC	
	C901	QETB1HM-225	2.2MF 50V ELECTRO	
	C902	QCVB1CM-103	0.01MF 16V CERAMIC	
	C903	QCVB1CM-103	0.01MF 16V CERAMIC	
	C904	QETB1AM-107	100MF 10V ELECTRO	
	C905	QCHB1EZ-223	0.022MF 25V CERAMIC	
	C906	QETB1AM-477	470MF 10V ELECTRO	
	C907	QEK51HM-225G	2.2MF 50V ELECTRO	
	C908	QEK51HM-225G	2.2MF 50V ELECTRO	
	C933	QERS1HM-105G	1MF 50V ELECTRO	
	C934	QERS1HM-105G	1MF 50V ELECTRO	
	C940	QCBB1HK-221	220PF 50V CERAMIC	
	C941	QCBB1HK-221	220PF 50V CERAMIC	C
	C971	QCVB1CM-103	0.01MF 16V CERAMIC	C
	C972	QETB1CM-226	22MF 16V ELECTRO	
	C973	QCHB1EZ-223	0.022MF 25V CERAMIC	
	C974	QCVB1CM-103	0.01MF 16V CERAMIC	
	C975	QETB1AM-476	47MF 10V ELECTRO	
	C976	QETB1AM-476	47MF 10V ELECTRO	
	C977	QETB1HM-105	1MF 50V ELECTRO	
	C978	QETB1HM-105	1MF 50V ELECTRO	
	C979	QETB1HM-225	2.2MF 50V ELECTRO	
	C980	QETB1HM-226	2.2MF 50V ELECTRO	
	C981	QETB1AM-476	47MF 10V ELECTRO	
	C982	QETB1EM-106	10MF 25V ELECTRO	
	C983	QETB1EM-106	10MF 25V ELECTRO	

Δ : :SIA:FEITY: :PARTS:

Resistors

Δ	ITEM	PART NUMBER	DESCRIPTION	AREA
	R501	QRD167J-104	100K 1/6W CARBON	
	R502	QRD167J-104	100K 1/6W CARBON	
	R503	ERD141J-561S	560 1/4W CARBON	
	R504	ERD141J-561S	560 1/4W CARBON	
	R505	QRD167J-471	470 1/6W CARBON	
	R506	QRD167J-471	470 1/6W CARBON	
	R507	QRD167J-104	100K 1/6W CARBON	
	R508	QRD167J-104	100K 1/6W CARBON	
	R509	QRD167J-562	5.6K 1/6W CARBON	
	R510	QRD167J-562	5.6K 1/6W CARBON	
	R511	QRD167J-562	5.6K 1/6W CARBON	
	R512	QRD167J-562	5.6K 1/6W CARBON	
	R513	QRD167J-562	5.6K 1/6W CARBON	
	R514	QRD167J-562	5.6K 1/6W CARBON	
	R515	QRD167J-562	5.6K 1/6W CARBON	
	R516	QRD167J-562	5.6K 1/6W CARBON	
Δ	R517	QRX012J-R22AM	0.22 1W M.FILM	
Δ	R518	QRX012J-R22AM	0.22 1W M.FILM	
Δ	R519	QRZ0077-101	100 1/4W FUSIBLE	
Δ	R520	QRZ0077-100	10 1/4W FUSIBLE	
Δ	R521	QRD14CJ-100S	10 1/4W UNF. CARBON	
Δ	R522	QRD14CJ-100S	10 1/4W UNF. CARBON	
Δ	R523	QRD14CJ-100S	10 1/4W UNF. CARBON	
Δ	R524	QRD14CJ-100S	10 1/4W UNF. CARBON	
Δ	R525	QRD14CJ-222S	2.2K 1/4W UNF. CARBON	

Δ : :SIA:FEITY: :PARTS:

For Service Manuals Contact
MAURITRON TECHNICAL SERVICES
 8 Cherry Tree Rd. Chinnor
 Oxon OX9 4QY
 Tel: 01844-351894 Fax: 01844-350654
 Email: enquiries@mauritron.co.uk

Resistors

Δ	ITEM	PART NUMBER	DESCRIPTION	AREA
Δ	R526	QRG022J-102AM	1K 2W O.M.FILM	
Δ	R527	QRD14CJ-100S	10 1/4W UNF.CARBON	
	R528	QRD167J-112	1.1K 1/6W CARBON	
	R529	QRD167J-105	1M 1/6W CARBON	
	R531	QRD167J-104	100K 1/6W CARBON	
	R532	QRD167J-104	100K 1/6W CARBON	
Δ	R533	QRD14CJ-681S	680 1/4W UNF.CARBON	
Δ	R534	QRD14CJ-681S	680 1/4W UNF.CARBON	
	R535	QRD167J-473	47K 1/6W CARBON	
	R536	QRD167J-473	47K 1/6W CARBON	
	R537	QRD167J-473	47K 1/6W CARBON	
	R538	QRD167J-473	47K 1/6W CARBON	
	R539	QRD167J-562	5.6K 1/6W CARBON	
	R540	QRD167J-562	5.6K 1/6W CARBON	
	R541	QRD167J-562	5.6K 1/6W CARBON	
	R542	QRD167J-562	5.6K 1/6W CARBON	
	R543	QRD167J-562	5.6K 1/6W CARBON	
	R544	QRD167J-562	5.6K 1/6W CARBON	
	R545	QRD167J-562	5.6K 1/6W CARBON	
	R546	QRD167J-562	5.6K 1/6W CARBON	
Δ	R547	QRX012J-R22AM	0.22 1W M.FILM	
Δ	R548	QRX012J-R22AM	0.22 1W M.FILM	
Δ	R549	QRZ0077-101	100 1/4W FUSIBLE	
Δ	R550	QRZ0077-100	10 1/4W FUSIBLE	
Δ	R551	QRD14CJ-100S	10 1/4W UNF.CARBON	
Δ	R552	QRD14CJ-100S	10 1/4W UNF.CARBON	
Δ	R553	QRD14CJ-100S	10 1/4W UNF.CARBON	
Δ	R554	QRD14CJ-100S	10 1/4W UNF.CARBON	
Δ	R555	QRD167J-103	10K 1/6W CARBON	
Δ	R556	QRG022J-102AM	1K 2W O.M.FILM	
Δ	R557	QRD14CJ-100S	10 1/4W UNF.CARBON	
Δ	R558	QRX012J-R47A	0.47 1W M.FILM	A
	R561	QRD167J-152	1.5K 1/6W CARBON	
	R562	QRD167J-471	470 1/6W CARBON	
	R564	QRD167J-222	2.2K 1/6W CARBON	
	R565	QRD167J-332	3.3K 1/6W CARBON	
	R566	QRD167J-332	3.3K 1/6W CARBON	
Δ	R567	QRZ0077-4R7	4.7 1/4W FUSIBLE	
Δ	R568	QRX012J-R68AM	0.68 1W M.FILM	
Δ	R569	QRD14CJ-101S	100 1/4W UNF.CARBON	
Δ	R570	QRD14CJ-101S	100 1/4W UNF.CARBON	
	R901	QRD167J-472	4.7K 1/6W CARBON	
	R902	QRD167J-472	4.7K 1/6W CARBON	
	R903	QRD167J-472	4.7K 1/6W CARBON	
	R904	QRD167J-104	100K 1/6W CARBON	
	R905	QRD167J-103	10K 1/6W CARBON	
	R907	QRD167J-473	47K 1/6W CARBON	
	R908	QRD167J-223	22K 1/6W CARBON	
	R909	QRD167J-472	4.7K 1/6W CARBON	
	R910	QRD167J-331	330 1/6W CARBON	
	R911	QRD167J-331	330 1/6W CARBON	
	R912	QRD167J-331	330 1/6W CARBON	
	R913	QRD167J-331	330 1/6W CARBON	
	R914	QRD167J-331	330 1/6W CARBON	
	R915	QRD167J-101	100 1/6W CARBON	
	R916	QRD167J-103	10K 1/6W CARBON	
	R917	QRD167J-104	100K 1/6W CARBON	
	R918	QRD167J-104	100K 1/6W CARBON	
	R919	QRD167J-104	100K 1/6W CARBON	
	R931	QRD12CJ-331S	330 1/2W R.NETWORK	
	R932	QRD12CJ-331S	330 1/2W R.NETWORK	
	R933	QRD167J-123	12K 1/6W CARBON	
	R934	QRD167J-123	12K 1/6W CARBON	
	R935	QRD167J-102	1K 1/6W CARBON	
	R936	QRD167J-102	1K 1/6W CARBON	
	R937	QRD167J-222	2.2K 1/6W CARBON	
	R938	QRD167J-222	2.2K 1/6W CARBON	
	R939	QRD167J-102	1K 1/6W CARBON	
	R940	QRD167J-102	1K 1/6W CARBON	
	R971	QRD167J-272	2.7K 1/6W CARBON	
	R972	QRD167J-272	2.7K 1/6W CARBON	
	R973	QRD167J-393	39K 1/6W CARBON	
	R974	QRD167J-393	39K 1/6W CARBON	
	R975	QRD167J-560	56 1/6W CARBON	
	R976	QRD167J-560	56 1/6W CARBON	
Δ	R977	QRD14CJ-4R7S	4.7 1/4W UNF.CARBON	
	R979	QRD167J-102	1K 1/6W CARBON	
	R980	QRD167J-102	1K 1/6W CARBON	
	RA901	QRB049J-473	47K 1/10W R.NETWORK	
	VR931	QVCB84W-E15B	100K VARIABLE	
	VR932	QVCB84A-E53C	5K VARIABLE	
	VR951	QVCB84W-E54B	50K VARIABLE	
	VR971	QVOC91A-E15B	100K VARIABLE	

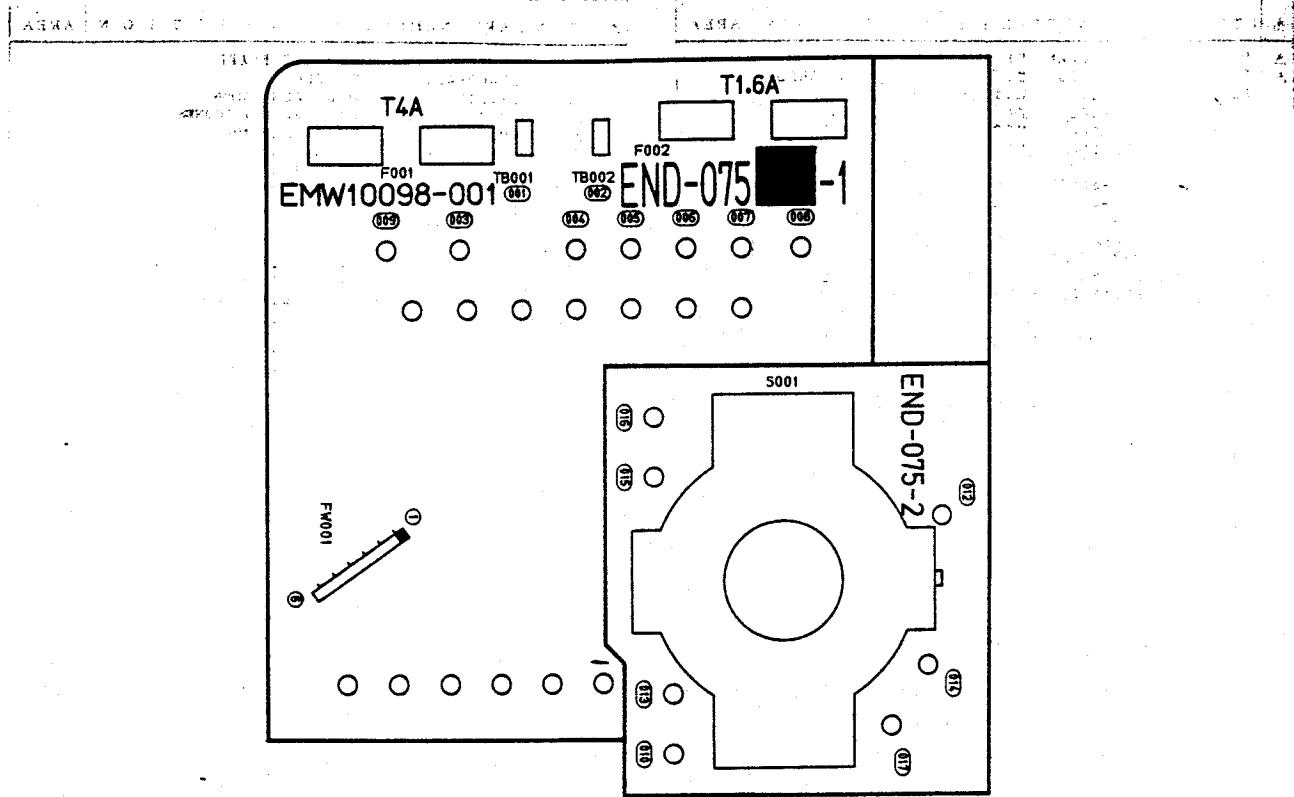
Δ : SIA:METRY : PARTS.

Others

Δ	ITEM	PART NUMBER	DESCRIPTION	AREA
		EMW10010-102	CIRCUIT BOARD	
		E3400-431	SPACER	
	J601	EMV5109-011A	PLUG ASSY (11PIN)	
	J931	QMS3R10-E40S	MINI JACK (H.PHONE)	
	J951	QMS3R10-E40S	MINI JACK (MIC)	
	J971	EMV5103-002A	PLUG ASSY (2PIN)	
	L501	EQL0001-R45	INDUCTOR	
	L502	EQL0001-R45	INDUCTOR	
	L531	EQL0001-R45	INDUCTOR	
	L532	EQL0001-R45	INDUCTOR	
	S901	ESP0001-018	TACT SWITCH (POWER)	
	S903	ESP0001-018	TACT SWITCH (SUBROUND)	
	S904	ESP0001-018	TACT SWITCH (AI)	
	S905	ESP0001-018	TACT SWITCH (TAPE)	
	S906	ESP0001-018	TACT SWITCH (TUNER)	
	S907	ESP0001-018	TACT SWITCH (CD)	
	S908	ESP0001-018	TACT SWITCH (DAT/VIDEO 1)	
	S909	ESP0001-018	TACT SWITCH (AUX/VIDEO 2)	
	S910	ESP0001-018	TACT SWITCH (DISPLAY)	
	S911	ESP0001-018	TACT SWITCH (SEA)	
	S912	ESP0001-018	TACT SWITCH (PRESET)	
	S913	ESP0001-018	TACT SWITCH (MEMORY)	
	S914	ESP0001-018	TACT SWITCH (CI)	
	S915	ESP0001-018	TACT SWITCH (-)	
	S916	ESP0001-018	TACT SWITCH (+)	
	S917	ESP0001-018	TACT SWITCH (ID)	
	BC971	EMV5109-002A	PLUG ASSY (2PIN)	
	EP002	EWT011-092	TERMINAL WIRE	C
	EP003	EWT011-132	TERMINAL WIRE	
	FL901	ELU0001-106	FL TUBE	
	FS901	E3400-420	FELT SPACER	
	FW691	EWR23C-20LN	FLAT WIRE (3PIN)	
	FW911	EWR35B-25LST	FLAT WIRE (5PIN)	
	FW913	EWR23C-30LN	FLAT WIRE (3PIN)	
	FW921	EWR38B-16LST	FLAT WIRE (8PIN)	
	FW960	EMV7122-103	CONNECTOR (3PIN)	A
	JA901	EMV7123-031R	CONNECTOR (31PIN)	
	JB501	EMV7125-010R	CONNECTOR (10PIN)	
	JB531	EMV7125-009R	CONNECTOR (9PIN)	
	JB561	EMV7125-011R	CONNECTOR (11PIN)	
	SR041	ERT-D2WHK202S	NEGATIVE THERMISTOR	
	TB901	E33754-001	TIE BAND	
	XT901	ECX0060-000EM	RESONATOR	

Δ : SIA:METRY : PARTS.

END-075 Power Primary PC Board Ass'y



Others

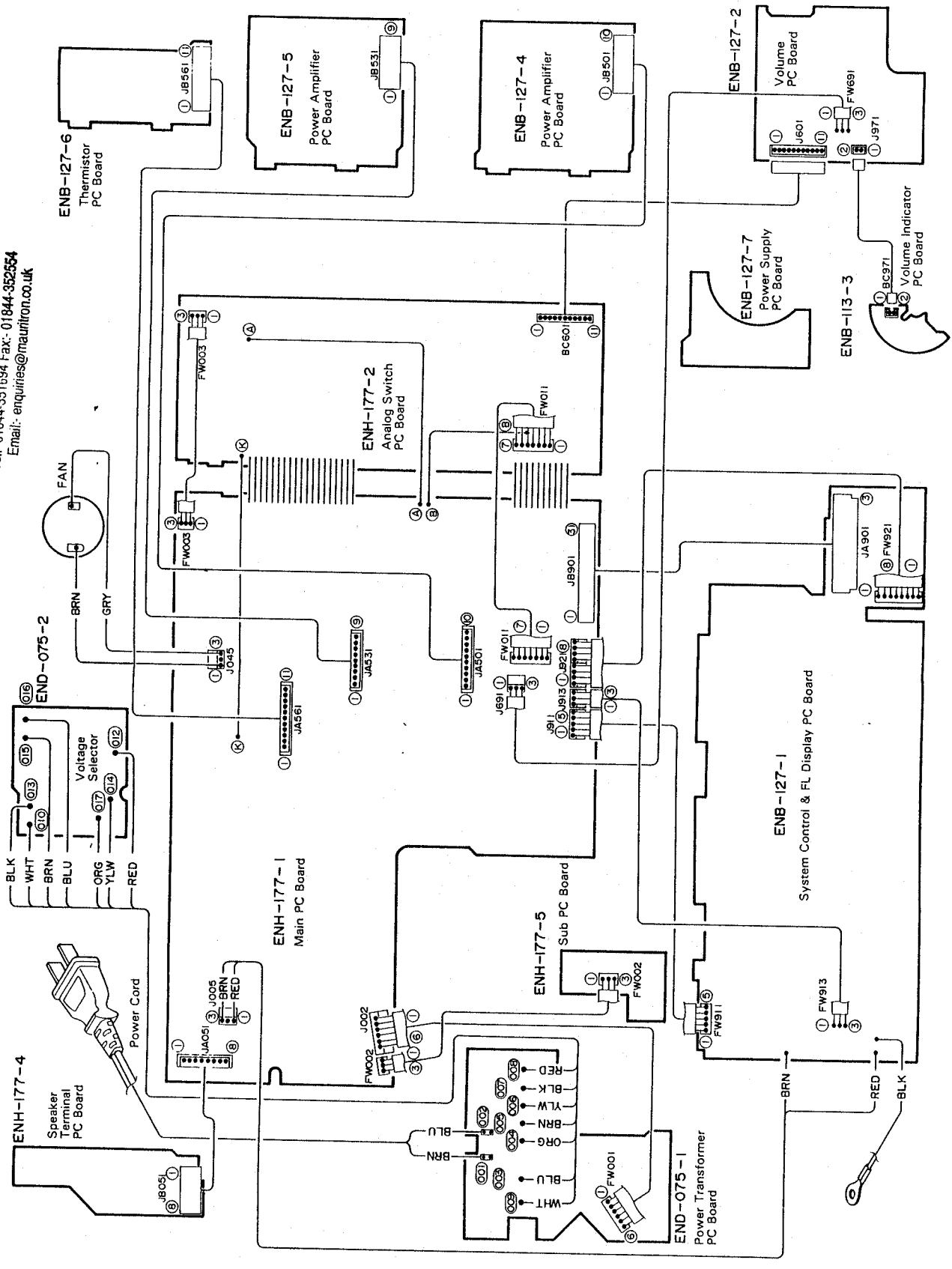
Δ	ITEM	PART NUMBER	DESCRIPTION	AREA
		EMG7331-001	FUSE CLIP	
		EMW10098-001	CIRCUIT BOARD	
		QSR0085-018	VOLTAGE SELECTOR	
Δ	S001	QSR0085-018	VOLTAGE SELECTOR	
	FH001	EMW10098-001	CIRCUIT BOARD	
	TB001	EWR368-16KST	FLAT WIRE (6PIN)	
	TB002	E45508-002	TAB	
		E65503-002	TAB	

Δ SAFETY PARTS

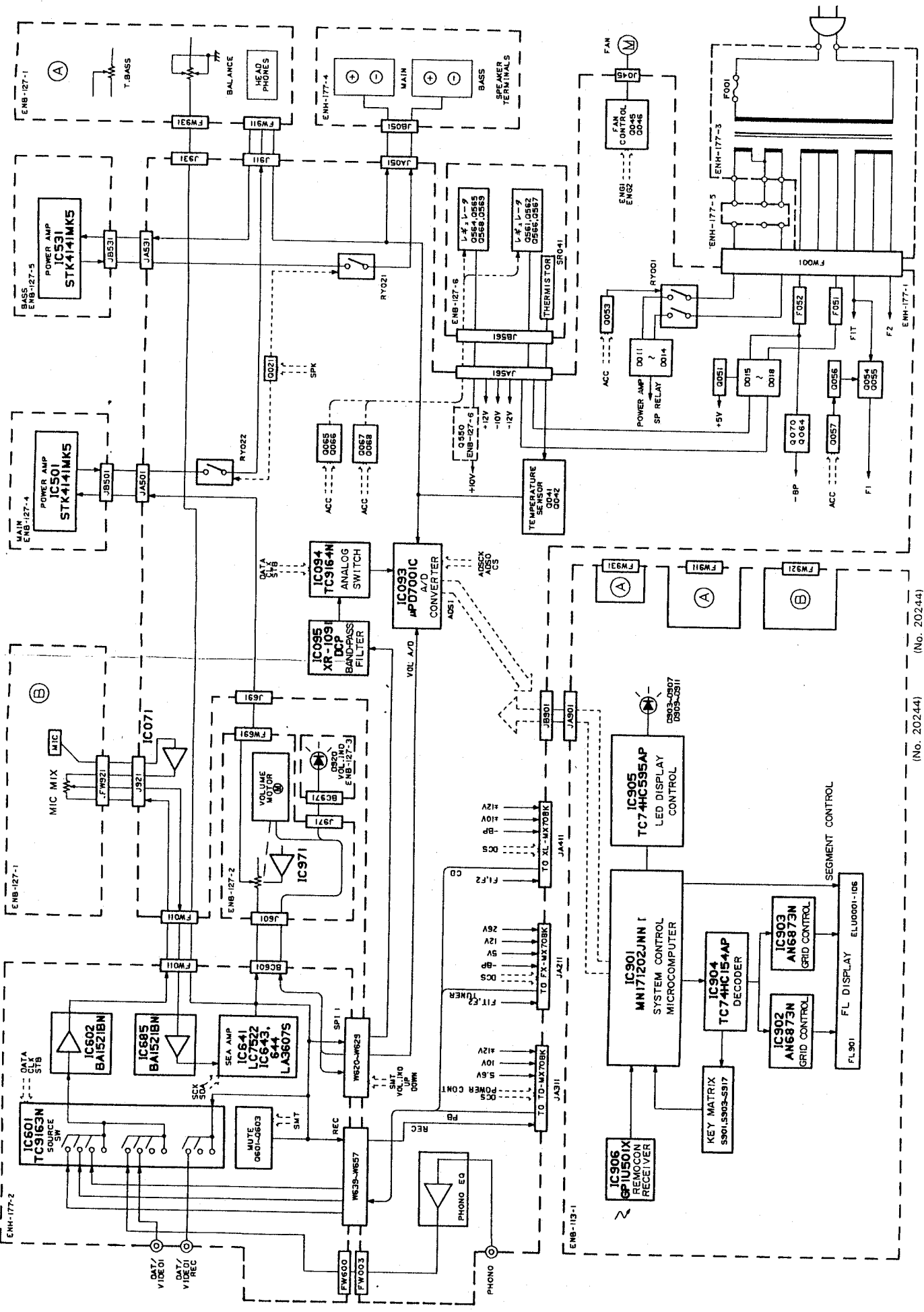
For Service Manuals Contact
MAURITRON TECHNICAL SERVICES
 8 Cherry Tree Rd, Chinnor
 Oxon OX9 4QY
 Tel: 01844-351894 Fax: 01844-352554
 Email: enquiries@mauritron.co.uk

For Service Manuals Contact
MAURITRON TECHNICAL SERVICES
8 Cherry Tree Rd, Chinnor
Oxon OX9 4QY
Tel: 01844-351694 Fax: 01844-352554
Email: enquiries@maurifron.co.uk

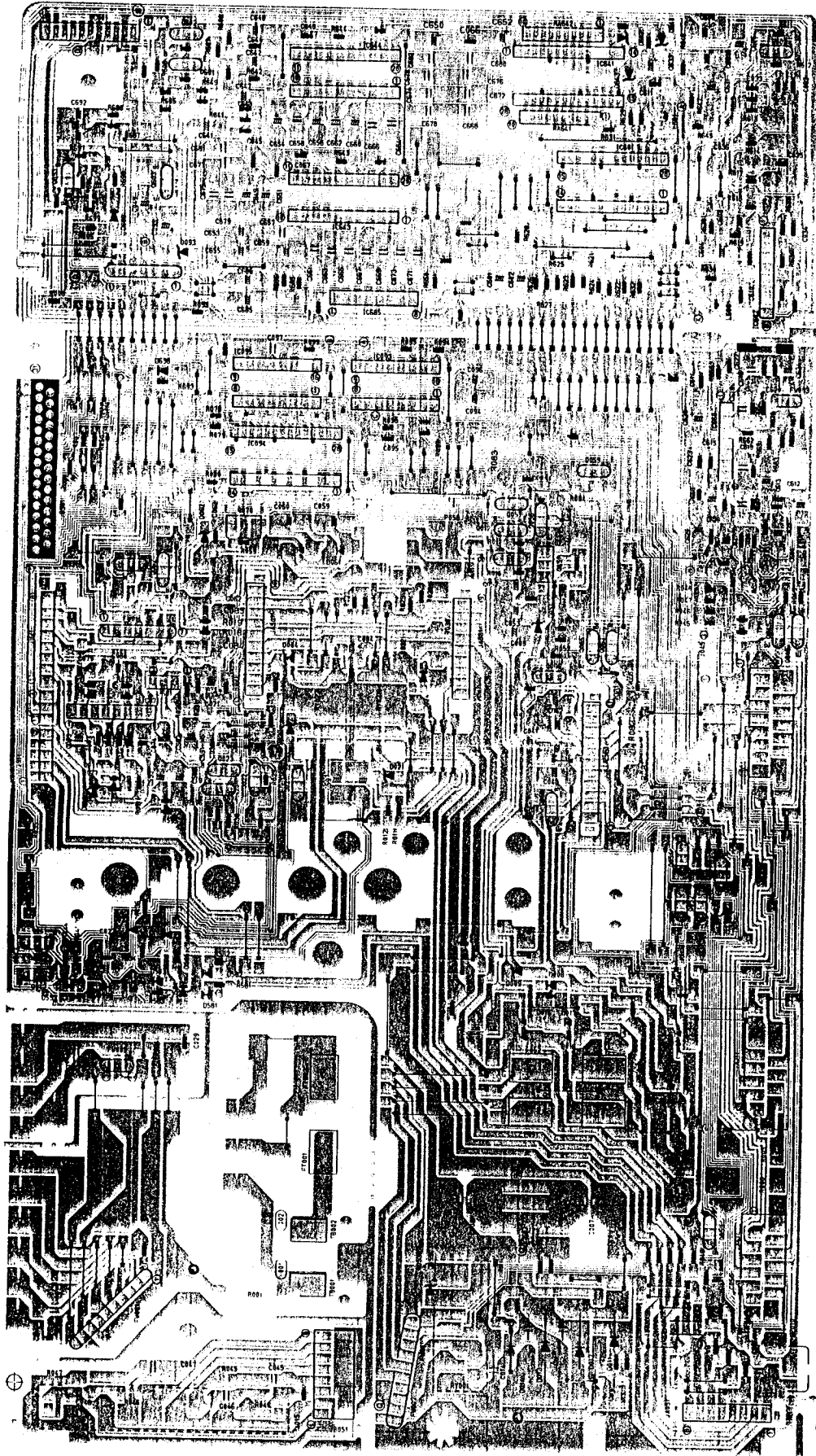
Connection Diagram



Block Diagram

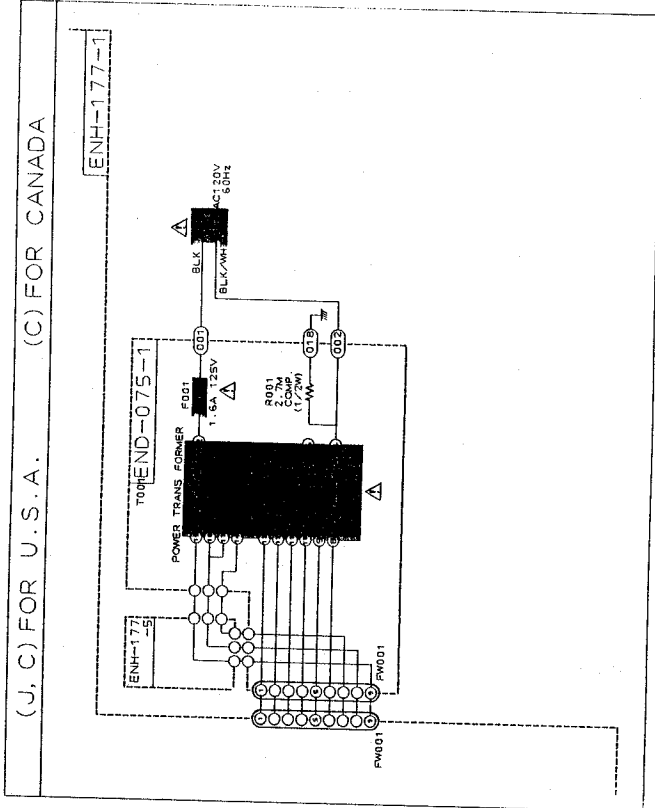
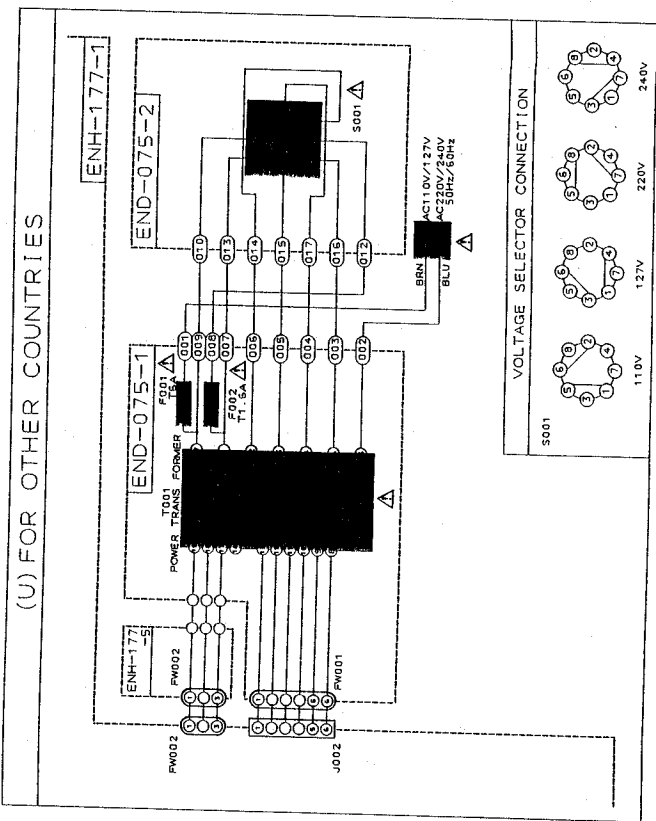
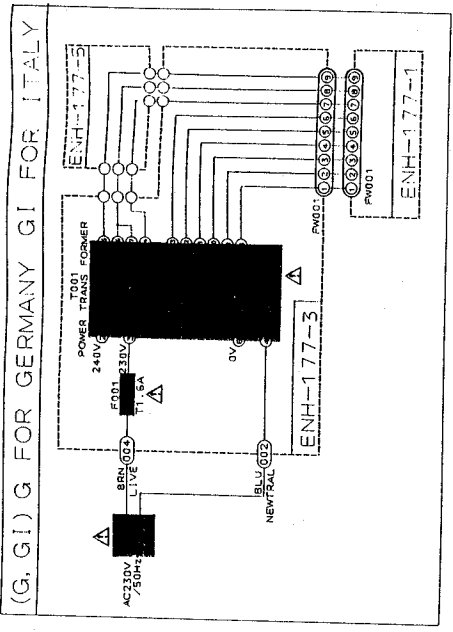
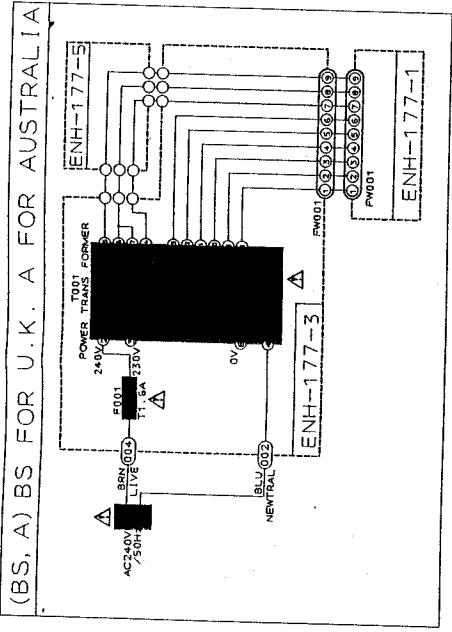
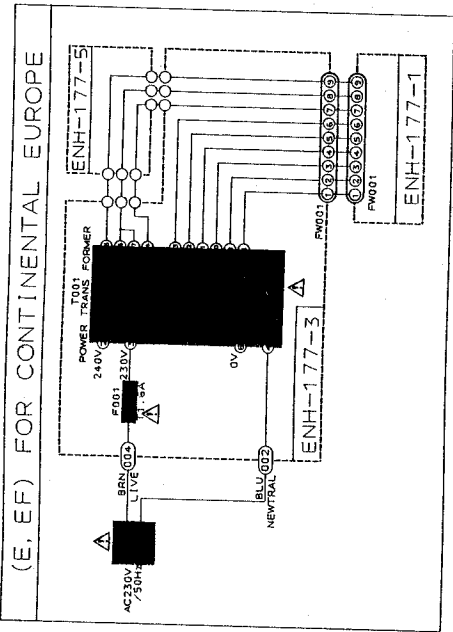


■ Analog Switch & Power Supply PC Board (ENH-177)



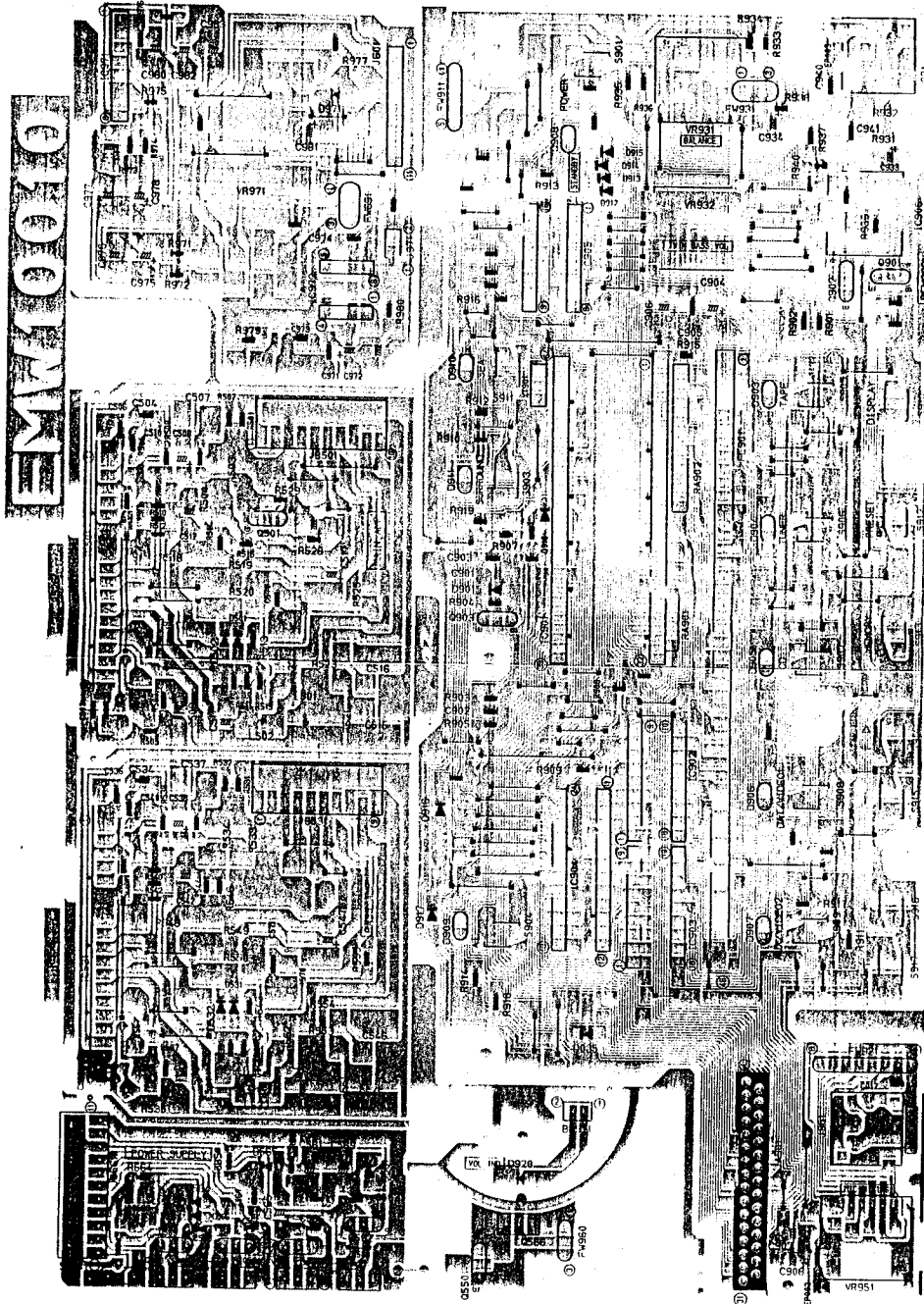
For Service Manuals Contact
MAURITRON TECHNICAL SERVICES
8 Cherry Tree Rd, Chinnor
Oxon OX9 4QY
Tel: 01844-351694 Fax: 01844-352554
Email: enquiries@maurtron.co.uk

■ Power Primary Section



Printed Circuit Board

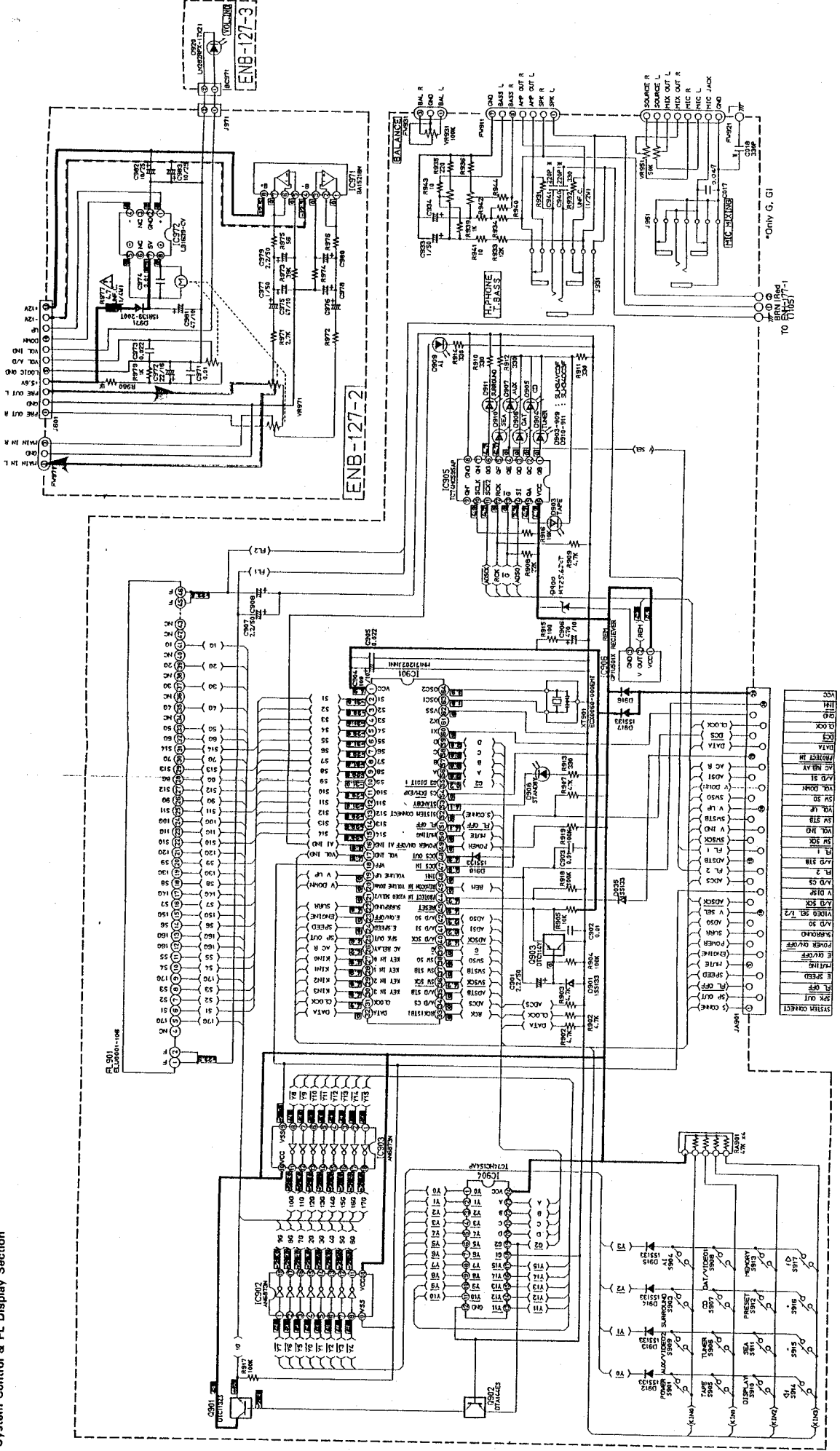
■ System Control & FL Display & Power Amplifier PC Board Ass'y (ENB-127)



For Service Manuals Contact
MAURITRON TECHNICAL SERVICES
 8 Cherry Tree Rd, Chinnor
 Oxon OX9 4QY
 Tel: 01844-351694 Fax: 01844-352554
 Email: enquiries@mauritron.co.uk

AX-MX70BK AX-MX70BK

System Control & FL Display Section



Notes:

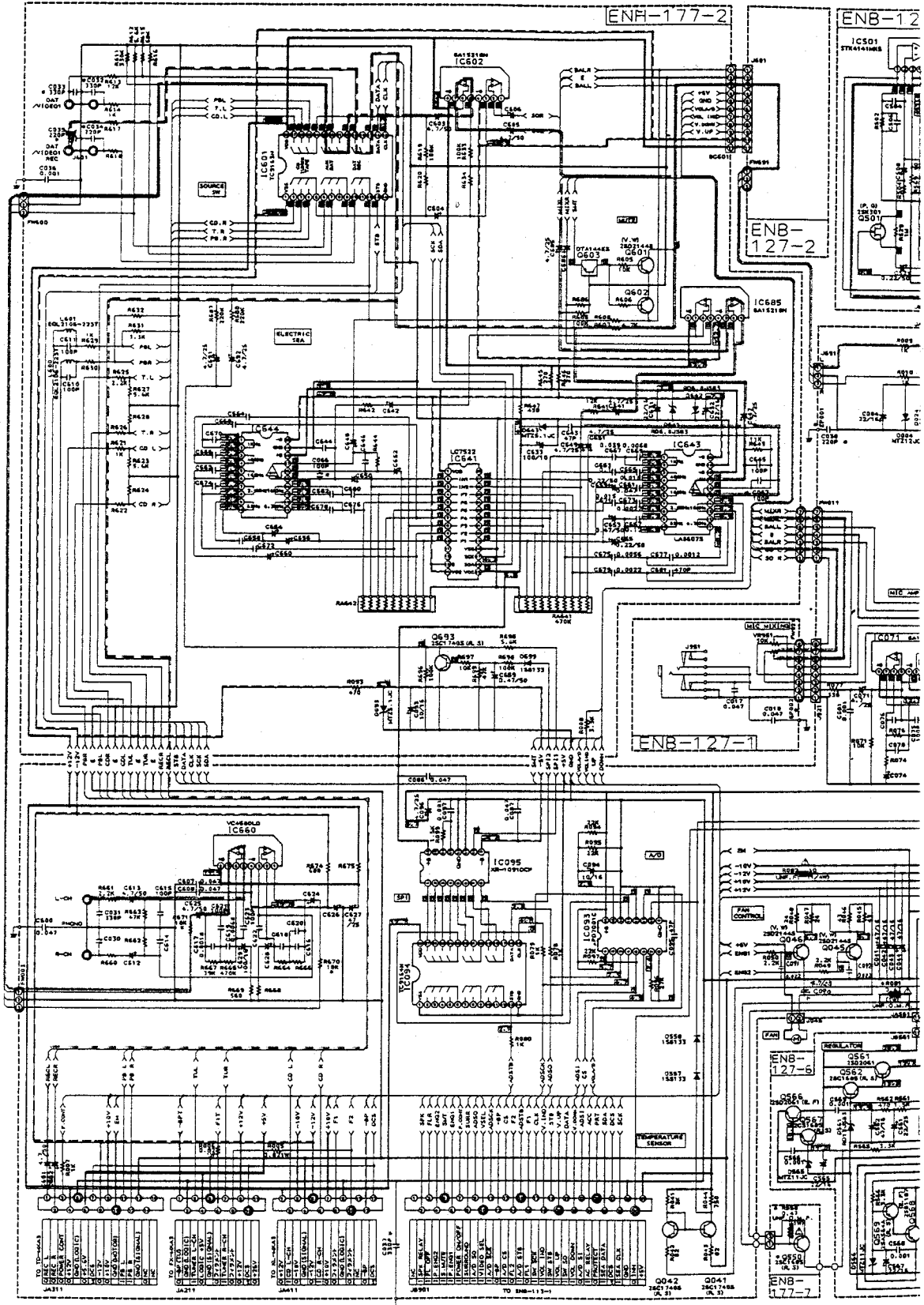
1. shows DC voltage applied to the chassis in the stop mode. (Digital section: PLAY mode)
2. indicates positive B power supply.
3. indicates negative B power supply.
4. indicate signal path.
5. When replacing the parts in the darkened are () and those marked with , be sure to use the designated parts to ensure safety.
6. This is the standard circuit diagram.

The design and contents are subject to change without notice.

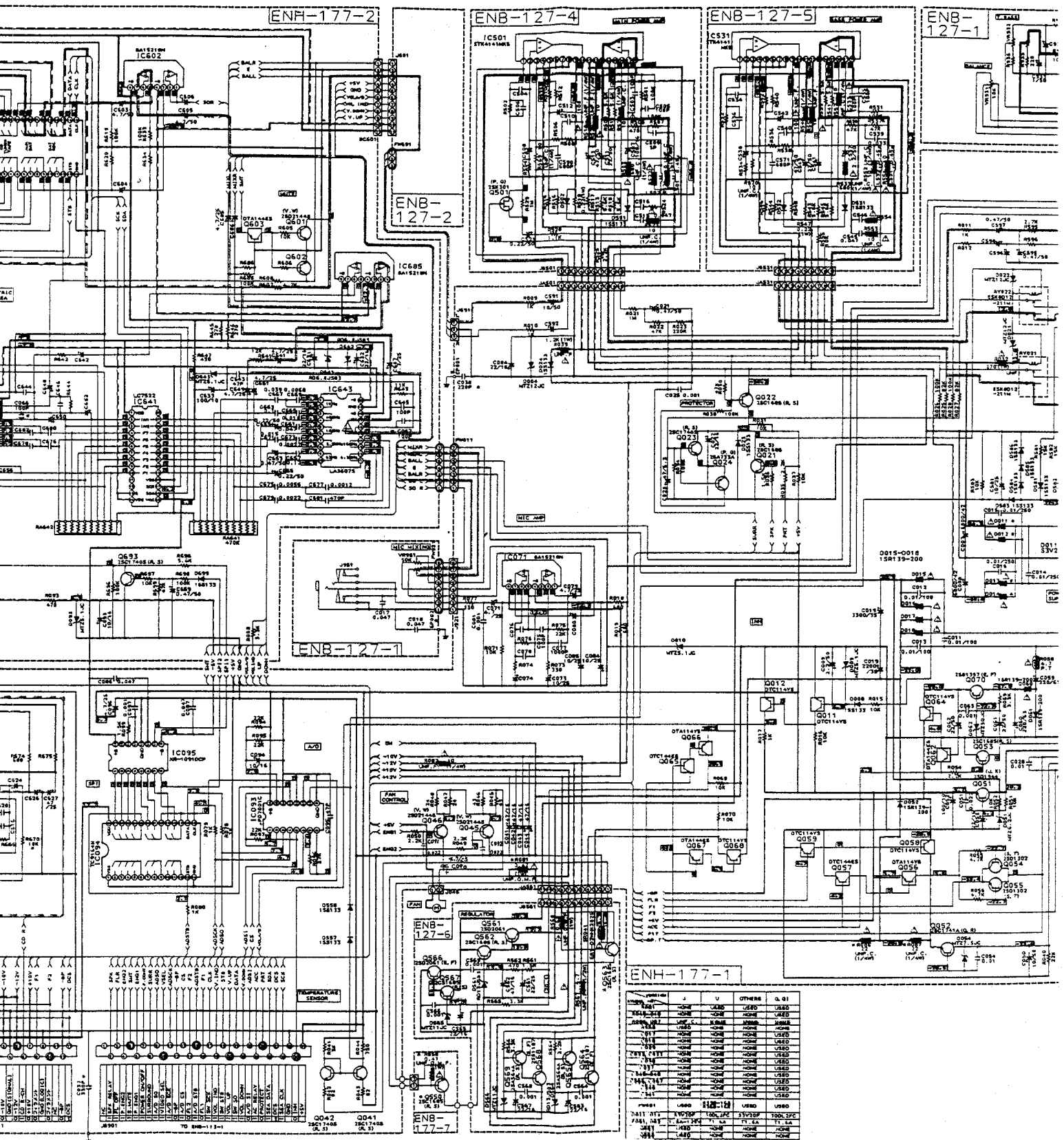
Schematic Diagrams

■ Analog Switch & Power Amplifier Section

For Service Manuals Contact
 MAURITRON TECHNICAL SERVICES
 8 Cherry Tree Rd, Chinnor
 Oxon OX9 4QY
 Tel: 01844-351694 Fax: 01844-352554
 Email: enquiries@mauritron.co.uk

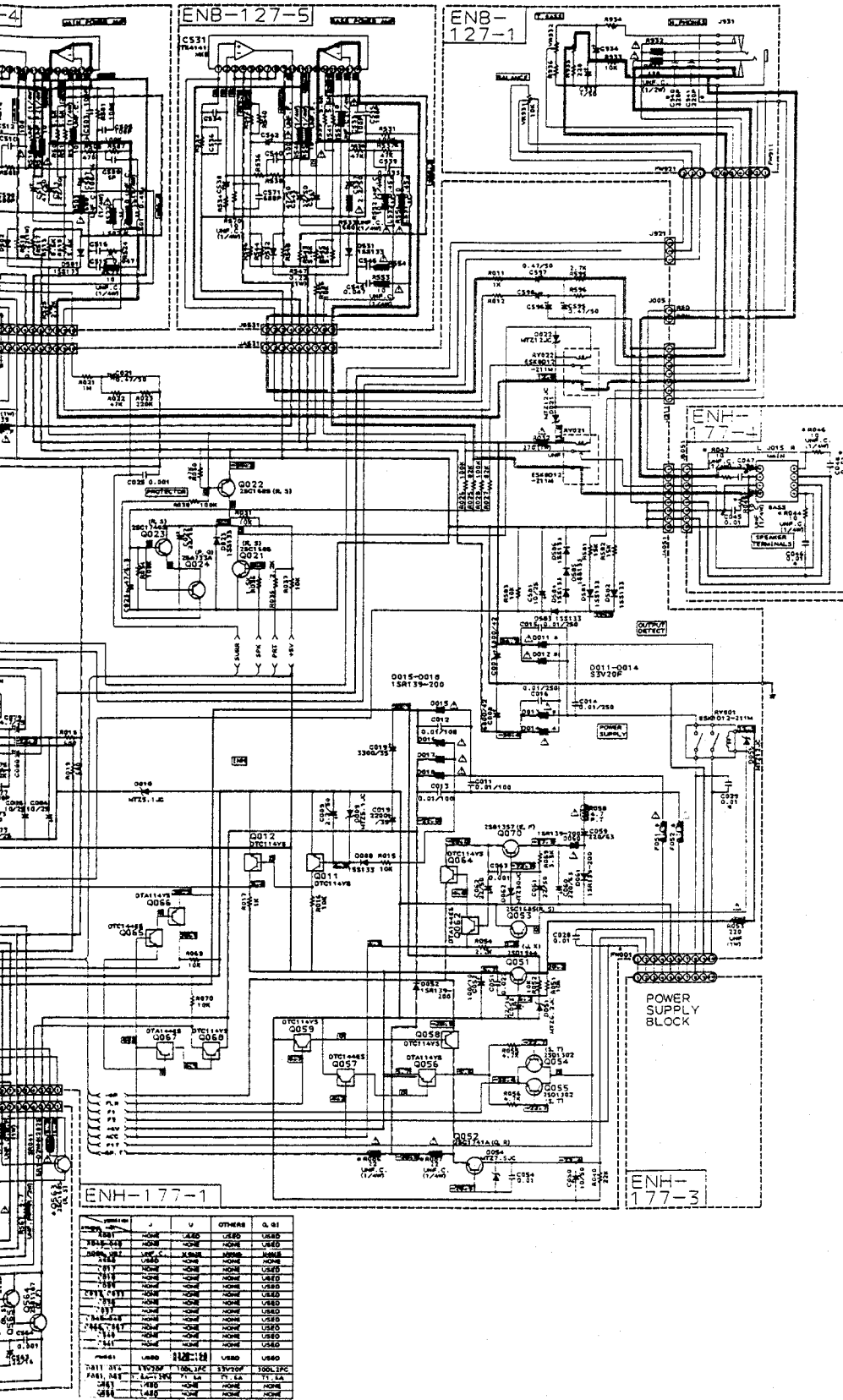


THE QUALITY OF
 THIS PAGE IS
 THE BEST THAT
 IS AVAILABLE



Notes:

1. [Solid line] shows DC voltage applied to the chassis in the stop 5. V mode. (Digital section: PLAY mode)
2. [Dashed line] indicates positive B power supply.
3. [Dotted line] indicates negative B power supply.
4. [Dash-dot line] indicate signal path.
5. V
6. T



For Service Manuals Contact
MAURITRON TECHNICAL SERVICES
 8 Cherry Tree Rd, Chinnor
 Oxon OX9 4QY
 Tel: 01844-351694 Fax: 01844-352554
 Email: enquiries@mauritron.co.uk

**THE QUALITY OF
 THIS PAGE IS
 THE BEST THAT
 IS AVAILABLE**

- otes:
- shows DC voltage applied to the chassis in the stop 5. When replacing the parts in the darkened are () and those marked with Δ, be sure to use the designated parts to ensure safety.
 - indicates positive B power supply.
 - indicates negative B power supply.
 - indicate signal path.
6. This is the standard circuit diagram
 The design and contents are subject to change without notice.